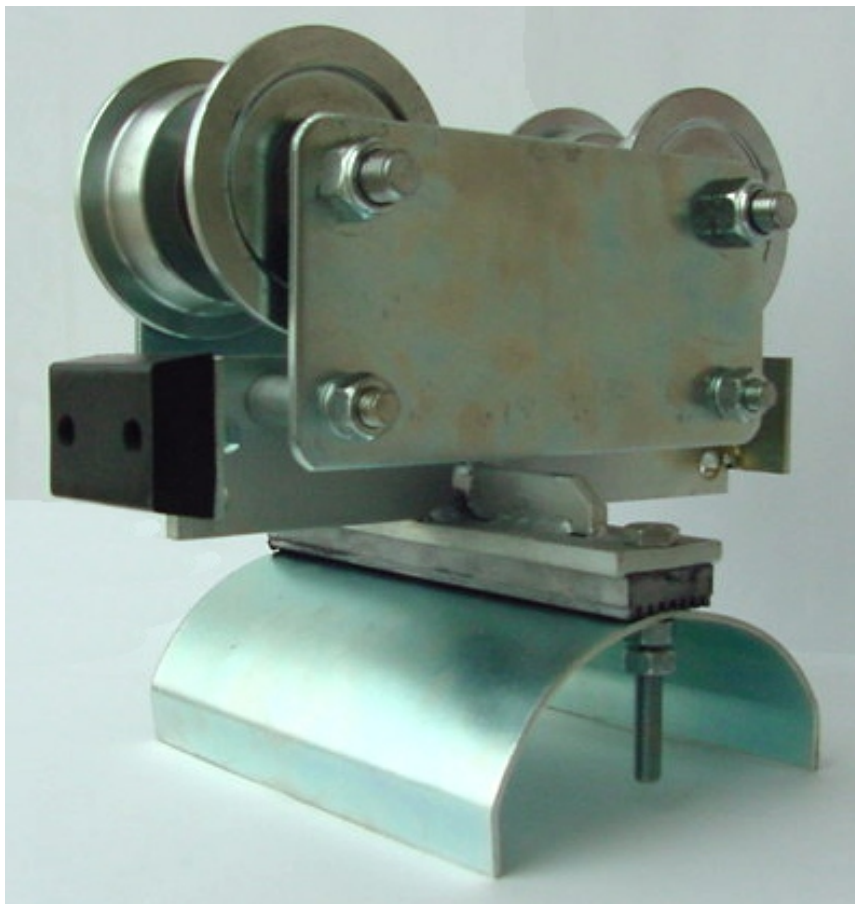


CHARIOT PORTE CÂBLE ROULANT SUR IPN OU IPE

DESCRIPTION

Exécution pour câble plat



Construction

- Construction entièrement en acier zingué.
- Galets de roulement diamètre 46/60 épaisseur 18 ou 23 mm axe M12 ou diamètre 80/100 épaisseur 25 mm axe M16, en acier cémenté et zingué.
- Boulonneries en acier zingué.
- Reposoir pour câble plat largeur utile 50, 90, 135, 182 en 225 mm.
- Possibilité d'avoir un butoir en caoutchouc 70 x 50 x 22 mm.

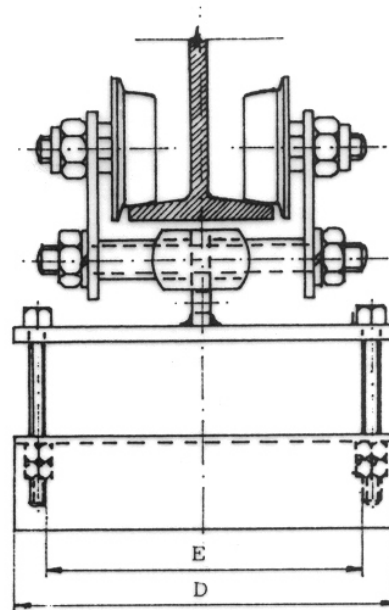
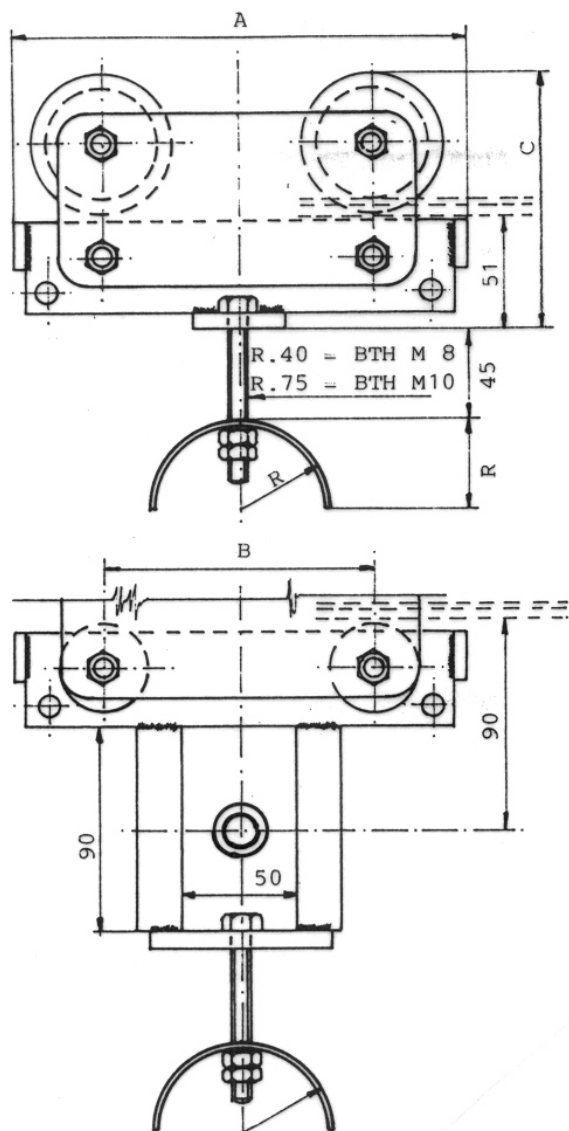
Nos chariots peuvent être munis de 4 galets latéraux diamètre 37 mm et/ou 4 contre galets diamètre 37 mm.

Nos chariots sont destinés à rouler sur l'aile inférieure d'une poutelle standard, soit IPN, IPE, HEB, IPER, etc...

En cas de commande, il faut toujours spécifier le type de la poutelle.

Ces chariots sont également disponibles en acier inoxydable.

CHARIOT PORTE-CABLE PLAT ROULANT SUR POUTRELLE - EXECUTION ACIER INOX 316



Le chariot n° **56.401.00** équipé de 2 paires de contre galets diam. 37 mm devient le **56.401.20**.

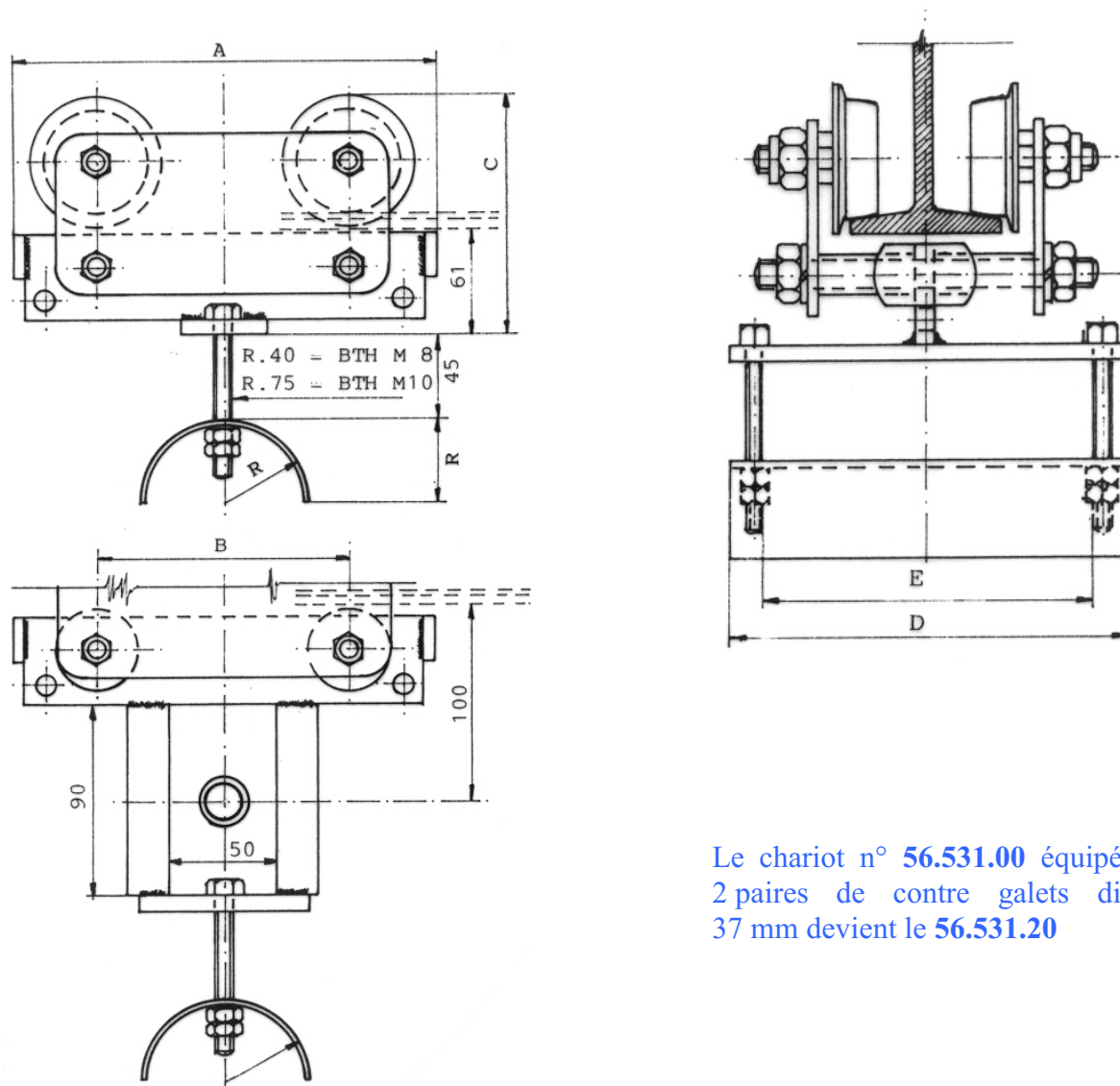
Article	Désignation	A	B	C	D	E	Reposoir
Chariot		Galets inoxydables diamètre 46/60 - axe M12					
56.401.00	IPN/150/46-Gi/ 80	150	80	115	80	50	R = 40 mm
56.402.00	IPN/150/46-Gi/120	150	80	115	120	90	R = 40 mm
56.403.00	IPN/150/46-Gi/165	150	80	115	165	135	R = 40 mm
56.404.00	IPN/150/46-Gi/210	150	80	115	210	180	R = 40 mm
56.405.00	IPN/150/46-Gi/255	150	80	115	255	225	R = 40 mm
56.410.00	IPN/200/46-Gi/ 80	200	120	115	80	50	R = 40 mm
56.411.00	IPN/200/46-Gi/120	200	120	115	120	90	R = 40 mm
56.412.00	IPN/200/46-Gi/165	200	120	115	165	135	R = 40 mm
56.413.00	IPN/200/46-Gi/210	200	120	115	210	180	R = 40 mm
56.414.00	IPN/200/46-Gi/255	200	120	115	255	225	R = 40 mm

CHARIOT PORTE CABLE PLAT ROULANT SUR POUTRELLE - EXECUTION ACIER INOX 316

Article	Désignation	A	B	C	D	E	Reposoir
Chariot		Galets inoxydables diamètre 46/60 - axe M12					
56.430.00	IPN/250/46-Gi/ 80	250	120	115	80	50	R = 75 mm
56.431.00	IPN/250/46-Gi/120	250	120	115	120	90	R = 75 mm
56.432.00	IPN/250/46-Gi/165	250	120	115	165	135	R = 75 mm
56.433.00	IPN/250/46-Gi/210	250	120	115	210	180	R = 75 mm
56.434.00	IPN/250/46-Gi/255	250	120	115	255	225	R = 75 mm
56.440.00	IPN/300/46-Gi/ 80	300	180	115	80	50	R = 75 mm
56.441.00	IPN/300/46-Gi/120	300	180	115	120	90	R = 75 mm
56.442.00	IPN/300/46-Gi/165	300	180	115	165	135	R = 75 mm
56.443.00	IPN/300/46-Gi/210	300	180	115	210	180	R = 75 mm
56.444.00	IPN/300/46-Gi/255	300	180	115	255	225	R = 75 mm
Chariot entraîneur		Galets inoxydables diamètre 46/60 - axe M12					
56.450.00	IPN/150/46-Gi/ 80	150	80	115	80	50	R = 40 mm
56.451.00	IPN/150/46-Gi/120	150	80	115	120	90	R = 40 mm
56.452.00	IPN/150/46-Gi/165	150	80	115	165	135	R = 40 mm
56.453.00	IPN/150/46-Gi/210	150	80	115	210	180	R = 40 mm
56.454.00	IPN/150/46-Gi/255	150	80	115	255	225	R = 40 mm
56.460.00	IPN/200/46-Gi/ 80	200	120	115	80	50	R = 40 mm
56.461.00	IPN/200/46-Gi/120	200	120	115	120	90	R = 40 mm
56.462.00	IPN/200/46-Gi/165	200	120	115	165	135	R = 40 mm
56.463.00	IPN/200/46-Gi/210	200	120	115	210	180	R = 40 mm
56.464.00	IPN/200/46-Gi/255	200	120	115	255	225	R = 40 mm
56.470.00	IPN/250/46-Gi/ 80	250	120	115	80	50	R = 75 mm
56.471.00	IPN/250/46-Gi/120	250	120	115	120	90	R = 75 mm
56.472.00	IPN/250/46-Gi/165	250	120	115	165	135	R = 75 mm
56.473.00	IPN/250/46-Gi/210	250	120	115	210	180	R = 75 mm
56.474.00	IPN/250/46-Gi/255	250	120	115	255	225	R = 75 mm
56.480.00	IPN/300/46-Gi/ 80	300	180	115	80	50	R = 75 mm
56.481.00	IPN/300/46-Gi/120	300	180	115	120	90	R = 75 mm
56.482.00	IPN/300/46-Gi/165	300	180	115	165	135	R = 75 mm
56.483.00	IPN/300/46-Gi/210	300	180	115	210	180	R = 75 mm
56.484.00	IPN/300/46-Gi/255	300	180	115	255	225	R = 75 mm

Pièces terminales voir page 5/53

CHARIOT PORTE CABLE PLAT ROULANT SUR POUTRELLE - EXECUTION ACIER INOX 316



Le chariot n° 56.531.00 équipé de 2 paires de contre galets diam. 37 mm devient le 56.531.20

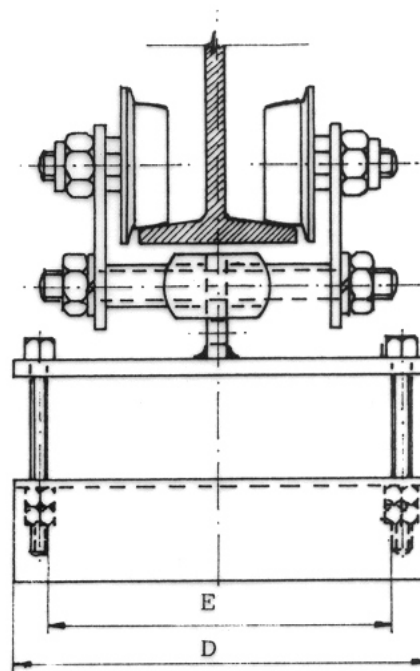
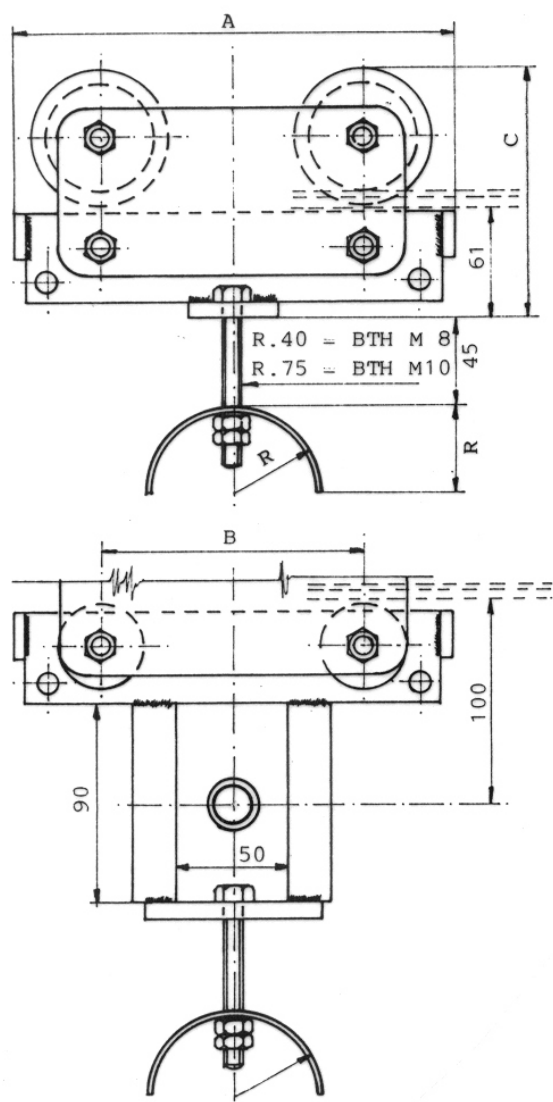
Article	Désignation	A	B	C	D	E	Reposoir
Chariot		4 galets acier zingué diamètre 80/100 x 25 - axe M16					
56.531.00	IPN/230/80-Gi/080	230	120	160	80	50	R = 40 mm
56.532.00	IPN/230/80-Gi/120	230	120	160	120	90	R = 40 mm
56.533.00	IPN/230/80-Gi/165	230	120	160	165	135	R = 40 mm
56.534.00	IPN/230/80-Gi/210	230	120	160	210	180	R = 40 mm
56.535.00	IPN/230/80-Gi/255	230	120	160	255	225	R = 40 mm
56.541.00	IPN/250/80-Gi/080	250	120	160	80	50	R = 75 mm
56.542.00	IPN/250/80-Gi/120	250	120	160	120	90	R = 75 mm
56.543.00	IPN/250/80-Gi/165	250	120	160	165	135	R = 75 mm
56.544.00	IPN/250/80-Gi/210	250	120	160	210	180	R = 75 mm
56.545.00	IPN/250/80-Gi/255	250	120	160	255	225	R = 75 mm

CHARIOT PORTE CABLE PLAT ROULANT SUR POUTRELLE - EXECUTION ACIER INOX 316

Article	Désignation	A	B	C	D	E	Reposoir	
Chariot		4 galets acier zingué diamètre 80/100 x 25 - axe M16						
56.551.00	IPN/300/80-Gi/ 80	300	180	160	80	50	R = 75 mm	
56.552.00	IPN/300/80-Gi/120	300	180	160	120	90	R = 75 mm	
56.553.00	IPN/300/80-Gi/165	300	180	160	165	135	R = 75 mm	
56.554.00	IPN/300/80-Gi/210	300	180	160	210	180	R = 75 mm	
56.555.00	IPN/300/80-Gi/255	300	180	160	255	225	R = 75 mm	
Chariot entraîneur		4 galets acier zingué diamètre 80/100 x 25 - axe M16						
56.568.00	IPN/230/80-Gi/ 80	230	120	160	80	50	R = 40 mm	
56.569.00	IPN/230/80-Gi/120	230	120	160	120	90	R = 40 mm	
56.570.00	IPN/230/80-Gi/165	230	120	160	165	135	R = 40 mm	
56.571.00	IPN/230/80-Gi/210	230	120	160	210	180	R = 40 mm	
56.572.00	IPN/230/80-Gi/255	230	120	160	255	225	R = 40 mm	
56.574.00	IPN/250/80-Gi/ 80	250	120	160	80	50	R = 75 mm	
56.575.00	IPN/250/80-Gi/120	250	120	160	120	90	R = 75 mm	
56.576.00	IPN/250/80-Gi/165	250	120	160	165	135	R = 75 mm	
56.577.00	IPN/250/80-Gi/210	250	120	160	210	180	R = 75 mm	
56.578.00	IPN/250/80-Gi/255	250	120	160	255	225	R = 75 mm	
56.580.00	IPN/300/80-Gi/ 80	300	180	160	80	50	R = 75 mm	
56.581.00	IPN/300/80-Gi/120	300	180	160	120	90	R = 75 mm	
56.582.00	IPN/300/80-Gi/165	300	180	160	165	135	R = 75 mm	
56.583.00	IPN/300/80-Gi/210	300	180	160	210	180	R = 75 mm	
56.584.00	IPN/300/80-Gi/255	300	180	160	255	225	R = 75 mm	

Pièces terminales voir page 5/53

CHARIOT PORTE CABLE PLAT ROULANT SUR POUTRELLE IPN OU IPE MINIMUM 80



Le chariot n° **56.601.00** équipé de 2 paires de contre galets diam. 37 mm devient le **56.601.20**.

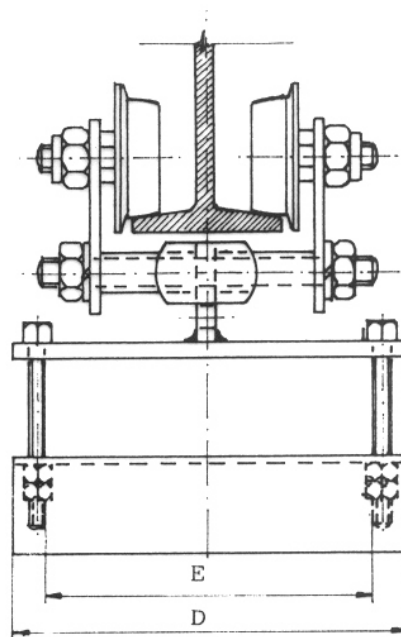
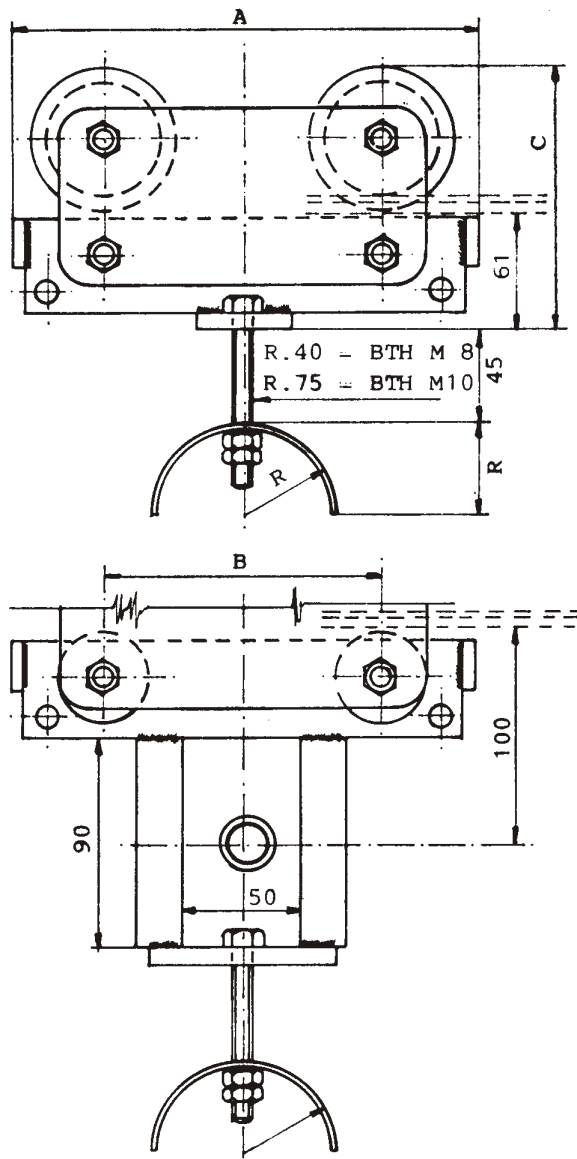
Article	Désignation	A	B	C	D	E	Reposoir
Chariot							Galets diamètre 46/60 x 18 - axe M12
56.601.00	IPN/150/46-GA/ 80	150	80	115	80	50	R = 40 mm
56.602.00	IPN/150/46-GA/120	150	80	115	120	90	R = 40 mm
56.603.00	IPN/150/46-GA/165	150	80	115	165	135	R = 40 mm
56.604.00	IPN/150/46-GA/210	150	80	115	210	180	R = 40 mm
56.605.00	IPN/150/46-GA/255	150	80	115	255	225	R = 40 mm
56.611.00	IPN/200/46-GA/ 80	200	120	115	80	50	R = 40 mm
56.612.00	IPN/200/46-GA/120	200	120	115	120	90	R = 40 mm
56.613.00	IPN/200/46-GA/165	200	120	115	165	135	R = 40 mm
56.614.00	IPN/200/46-GA/210	200	120	115	210	180	R = 40 mm
56.615.00	IPN/200/46-GA/255	200	120	115	255	225	R = 40 mm

CHARIOT PORTE CABLE PLAT ROULANT SUR POUTRELLE IPN OU IPE MINIMUM 80

Article	Désignation	A	B	C	D	E	Reposoir
Chariot		Galets diamètre 46/60 x 18 - axe M12					
56.621.00	IPN/250/46-GA/ 80	250	120	115	80	50	R = 75 mm
56.622.00	IPN/250/46-GA/120	250	120	115	120	90	R = 75 mm
56.623.00	IPN/250/46-GA/165	250	120	115	165	135	R = 75 mm
56.624.00	IPN/250/46-GA/210	250	120	115	210	180	R = 75 mm
56.625.00	IPN/250/46-GA/255	250	120	115	255	225	R = 75 mm
56.626.00	IPN/300/46-GA/ 80	300	180	115	80	50	R = 75 mm
56.627.00	IPN/300/46-GA/120	300	180	115	120	90	R = 75 mm
56.628.00	IPN/300/46-GA/165	300	180	115	165	135	R = 75 mm
56.629.00	IPN/300/46-GA/210	300	180	115	210	180	R = 75 mm
56.630.00	IPN/300/46-GA/255	300	180	115	255	225	R = 75 mm
Chariot entraîneur		Galets diamètre 46/60 x 18 - axe M12					
56.650.00	IPN/150/46-GA/ 80	150	80	115	80	50	R = 40 mm
56.651.00	IPN/150/46-GA/120	150	80	115	120	90	R = 40 mm
56.652.00	IPN/150/46-GA/165	150	80	115	165	135	R = 40 mm
56.653.00	IPN/150/46-GA/210	150	80	115	210	180	R = 40 mm
56.654.00	IPN/150/46-GA/255	150	80	115	255	225	R = 40 mm
56.656.00	IPN/200/46-GA/ 80	200	120	115	80	50	R = 40 mm
56.657.00	IPN/200/46-GA/120	200	120	115	120	90	R = 40 mm
56.658.00	IPN/200/46-GA/165	200	120	115	165	135	R = 40 mm
56.659.00	IPN/200/46-GA/210	200	120	115	210	180	R = 40 mm
56.660.00	IPN/200/46-GA/255	200	120	115	255	225	R = 40 mm
56.662.00	IPN/250/46-GA/ 80	250	120	115	80	50	R = 75 mm
56.663.00	IPN/250/46-GA/120	250	120	115	120	90	R = 75 mm
56.664.00	IPN/250/46-GA/165	250	120	115	165	135	R = 75 mm
56.665.00	IPN/250/46-GA/210	250	120	115	210	180	R = 75 mm
56.666.00	IPN/250/46-GA/255	250	120	115	255	225	R = 75 mm
56.669.00	IPN/300/46-GA/ 80	300	180	115	80	50	R = 75 mm
56.670.00	IPN/300/46-GA/120	300	180	115	120	90	R = 75 mm
56.671.00	IPN/300/46-GA/165	300	180	115	165	135	R = 75 mm
56.672.00	IPN/300/46-GA/210	300	180	115	210	180	R = 75 mm
56.673.00	IPN/300/46-GA/255	300	180	115	255	225	R = 75 mm

Pièces terminales page 5/52

CHARIOT PORTE CABLE PLAT ROULANT SUR POUTRELLE IPN OU IPE MINIMUM 120



Le chariot n° 50.631.00 équipé de 2 paires de contre galets diam. 37 mm devient le 50.631.20

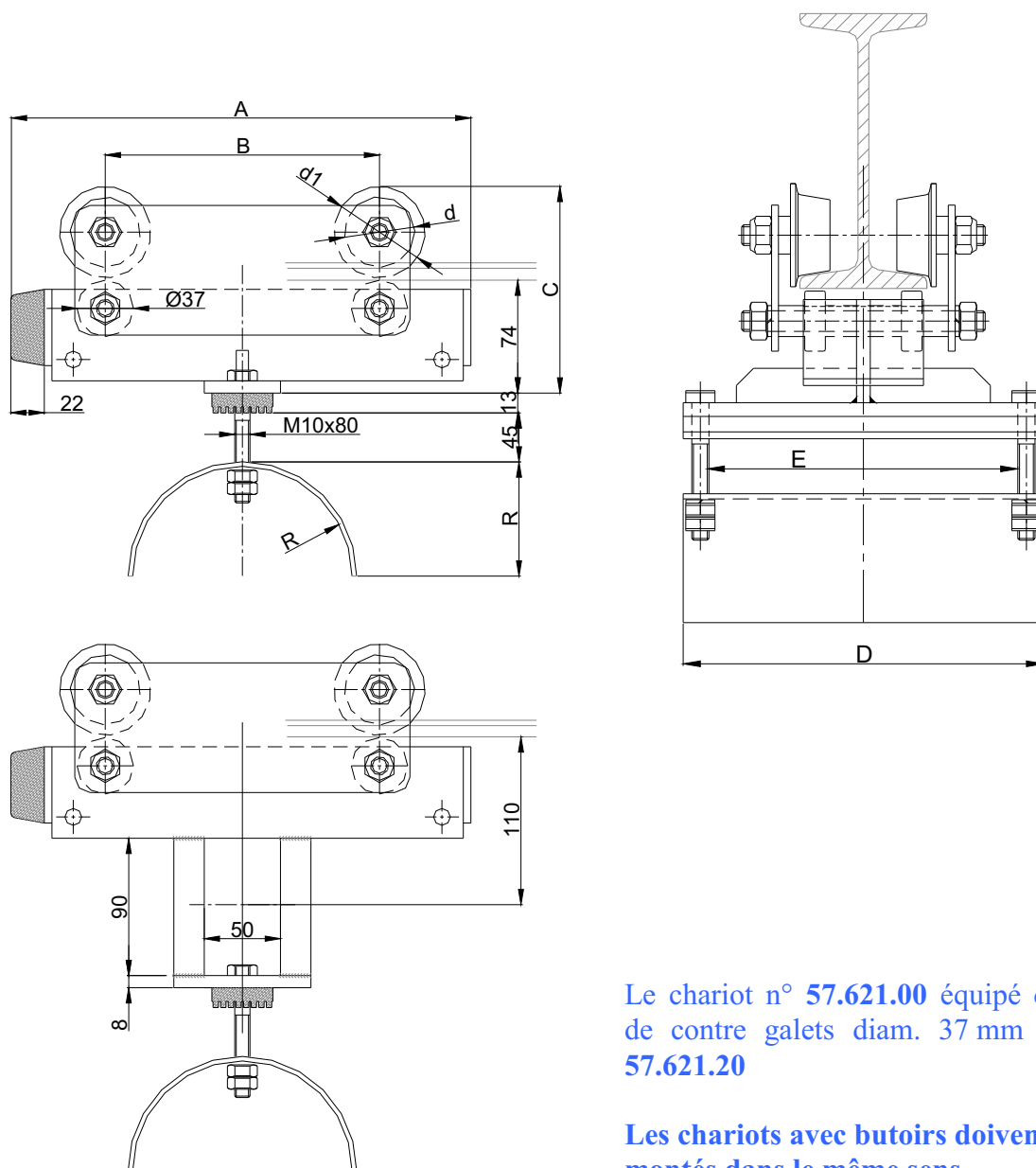
Article	Désignation	A	B	C	D	E	Reposoir
Chariot		Galets diamètre 80/100 x 25 - axe M16					
50.631.00	IPN/230/80-GA/ 80	230	120	160	80	50	R = 40 mm
50.632.00	IPN/230/80-GA/120	230	120	160	120	90	R = 40 mm
50.633.00	IPN/230/80-GA/165	230	120	160	165	135	R = 40 mm
50.634.00	IPN/230/80-GA/210	230	120	160	210	180	R = 40 mm
50.635.00	IPN/230/80-GA/255	230	120	160	255	225	R = 40 mm
50.641.00	IPN/250/80-GA/ 80	250	120	160	80	50	R = 75 mm
50.642.00	IPN/250/80-GA/120	250	120	160	120	90	R = 75 mm
50.643.00	IPN/250/80-GA/165	250	120	160	165	135	R = 75 mm
50.644.00	IPN/250/80-GA/210	250	120	160	210	180	R = 75 mm
50.645.00	IPN/250/80-GA/255	250	120	160	255	225	R = 75 mm

CHARIOT PORTE CABLE PLAT ROULANT SUR POUTRELLE IPN OU IPE MINIMUM 120

Article	Désignation	A	B	C	D	E	Reposoir
Chariot		Galets diamètre 80/100 x 25 - axe M16					
50.651.00	IPN/300/80-GA/ 80	300	180	160	80	50	R = 75 mm
50.652.00	IPN/300/80-GA/120	300	180	160	120	90	R = 75 mm
50.653.00	IPN/300/80-GA/165	300	180	160	165	135	R = 75 mm
50.654.00	IPN/300/80-GA/210	300	180	160	210	180	R = 75 mm
50.655.00	IPN/300/80-GA/255	300	180	160	255	225	R = 75 mm
Chariot entraîneur		Galets diamètre 80/100 x 25 - axe M16					
50.668.00	IPN/230/80-GA/ 80	230	120	160	80	50	R = 40 mm
50.669.00	IPN/230/80-GA/120	230	120	160	120	90	R = 40 mm
50.670.00	IPN/230/80-GA/165	230	120	160	165	135	R = 40 mm
50.670.50	IPN/230/80-GA/210	230	120	160	210	180	R = 40 mm
50.670.70	IPN/230/80-GA/255	230	120	160	255	225	R = 40 mm
50.671.00	IPN/250/80-GA/ 80	250	120	160	80	50	R = 75 mm
50.672.00	IPN/250/80-GA/120	250	120	160	120	90	R = 75 mm
50.673.00	IPN/250/80-GA/165	250	120	160	165	135	R = 75 mm
50.674.00	IPN/250/80-GA/210	250	120	160	210	180	R = 75 mm
50.674.50	IPN/250/80-GA/255	250	120	160	255	225	R = 75 mm
50.675.00	IPN/300/80-GA/ 80	300	180	160	80	50	R = 75 mm
50.676.00	IPN/300/80-GA/120	300	180	160	120	90	R = 75 mm
50.677.00	IPN/300/80-GA/165	300	180	160	165	135	R = 75 mm
50.678.00	IPN/300/80-GA/210	300	180	160	210	180	R = 75 mm
50.679.00	IPN/300/80-GA/255	300	180	160	255	225	R = 75 mm

Pièces terminales voir page 5/52

CHARIOT PORTE CABLE PLAT ROULANT SUR POUTRELLE EQUIPE D'UN BUTOIR



Le chariot n° 57.621.00 équipé de 2 paires de contre galets diam. 37 mm devient le 57.621.20

Les chariots avec butoirs doivent tous être montés dans le même sens.

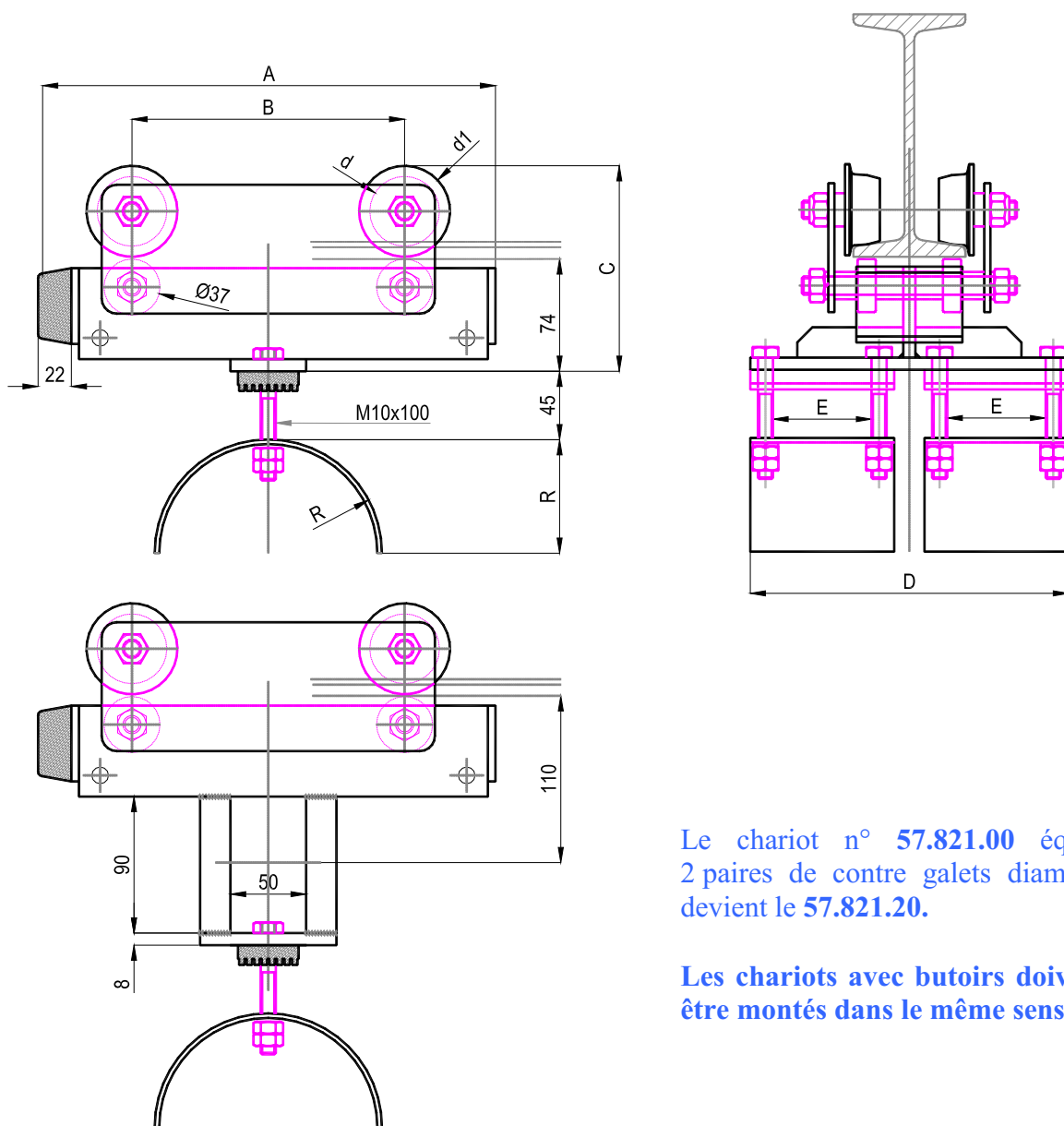
Article	Désignation	A	B	C	D	E	Reposoir
Chariot		Galets diamètre 46/60 x 18 - axe M12					
57.621.00	IPN/250/46-GA/ 80/1BC	250	120	115	80	50	R = 75 mm
57.622.00	IPN/250/46-GA/120/1BC	250	120	115	120	90	R = 75 mm
57.623.00	IPN/250/46-GA/165/1BC	250	120	115	165	135	R = 75 mm
57.624.00	IPN/250/46-GA/210/1BC	250	120	115	210	180	R = 75 mm
57.625.00	IPN/250/46-GA/255 /1BC	250	120	115	255	225	R = 75 mm
57.626.00	IPN/300/46-GA/ 80/1BC	300	180	115	80	50	R = 75 mm
57.627.00	IPN/300/46-GA/120/1BC	300	180	115	120	90	R = 75 mm
57.628.00	IPN/300/46-GA/165/1BC	300	180	115	165	135	R = 75 mm
57.629.00	IPN/300/46-GA/210/1BC	300	180	115	210	180	R = 75 mm
57.630.00	IPN/300/46-GA/255/1BC	300	180	115	255	225	R = 75 mm

CHARIOT PORTE CABLE PLAT ROULANT SUR POUTRELLE EQUIPE D'UN BUTOIR

Article	Désignation	A	B	C	D	E	Reposoir
Chariot		Galets diamètre 80/100 x 25 - axe M16					
57.641.00	IPN/250/80-GA/ 80/1BC	250	120	160	80	50	R = 75 mm
57.642.00	IPN/250/80-GA/120/1BC	250	120	160	120	90	R = 75 mm
57.643.00	IPN/250/80-GA/165/1BC	250	120	160	165	135	R = 75 mm
57.644.00	IPN/250/80-GA/210/1BC	250	120	160	210	180	R = 75 mm
57.645.00	IPN/250/80-GA/255/1BC	250	120	160	255	225	R = 75 mm
57.651.00	IPN/300/80-GA/ 80/1BC	300	180	160	80	50	R = 75 mm
57.652.00	IPN/300/80-GA/120/1BC	300	180	160	120	90	R = 75 mm
57.653.00	IPN/300/80-GA/165/1BC	300	180	160	165	135	R = 75 mm
57.654.00	IPN/300/80-GA/210/1BC	300	180	160	210	180	R = 75 mm
57.655.00	IPN/300/80-GA/255/1BC	300	180	160	255	225	R = 75 mm
Chariot entraîneur		Galets diamètre 46/60 x 18 - axe M12					
57.665.00	IPN/250/46-GA/ 80/1BC	250	120	115	80	50	R = 75 mm
57.666.00	IPN/250/46-GA/120/1BC	250	120	115	120	90	R = 75 mm
57.667.00	IPN/250/46-GA/165/1BC	250	120	115	165	135	R = 75 mm
57.668.00	IPN/250/46-GA/210/1BC	250	120	115	210	180	R = 75 mm
57.669.00	IPN/250/46-GA/255/1BC	250	120	115	255	225	R = 75 mm
57.670.00	IPN/300/46-GA/ 80/1BC	300	180	115	80	50	R = 75 mm
57.671.00	IPN/300/46-GA/120/1BC	300	180	115	120	90	R = 75 mm
57.672.00	IPN/300/46-GA/165/1BC	300	180	115	165	135	R = 75 mm
57.673.00	IPN/300/46-GA/210/1BC	300	180	115	210	180	R = 75 mm
57.674.00	IPN/300/46-GA/255/1BC	300	180	115	255	225	R = 75 mm
Chariot entraîneur		Galets diamètre 80/100 x 25 - axe M16					
57.680.00	IPN/250/80-GA/ 80/1BC	250	120	160	80	50	R = 75 mm
57.681.00	IPN/250/80-GA/120/1BC	250	120	160	120	90	R = 75 mm
57.682.00	IPN/250/80-GA/165/1BC	250	120	160	165	135	R = 75 mm
57.683.00	IPN/250/80-GA/210/1BC	250	120	160	210	180	R = 75 mm
57.684.00	IPN/250/80-GA/255/1BC	250	120	160	255	225	R = 75 mm
57.685.00	IPN/300/80-GA/ 80/1BC	300	180	160	80	50	R = 75 mm
57.686.00	IPN/300/80-GA/120/1BC	300	180	160	120	90	R = 75 mm
57.687.00	IPN/300/80-GA/165/1BC	300	180	160	165	135	R = 75 mm
57.688.00	IPN/300/80-GA/210/1BC	300	180	160	210	180	R = 75 mm
57.689.00	IPN/300/80-GA/255/1BC	300	180	160	255	225	R = 75 mm

Pièces terminales voir page 5/54

CHARIOT PORTE CABLE PLAT ROULANT SUR POUTRELLE EQUIPE DEUX REPOSOIRS + BUTOIR



Le chariot n° 57.821.00 équipé de 2 paires de contre galets diam. 37 mm devient le 57.821.20.

Les chariots avec butoirs doivent tous être montés dans le même sens.

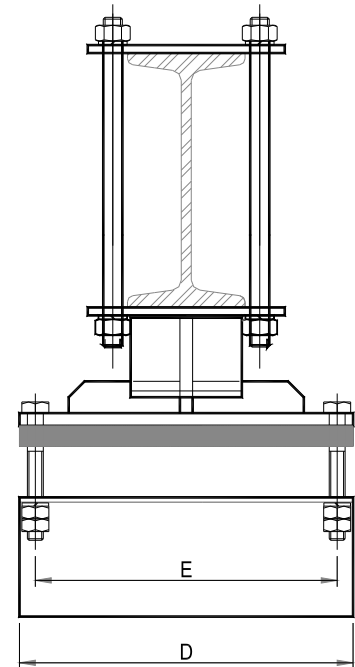
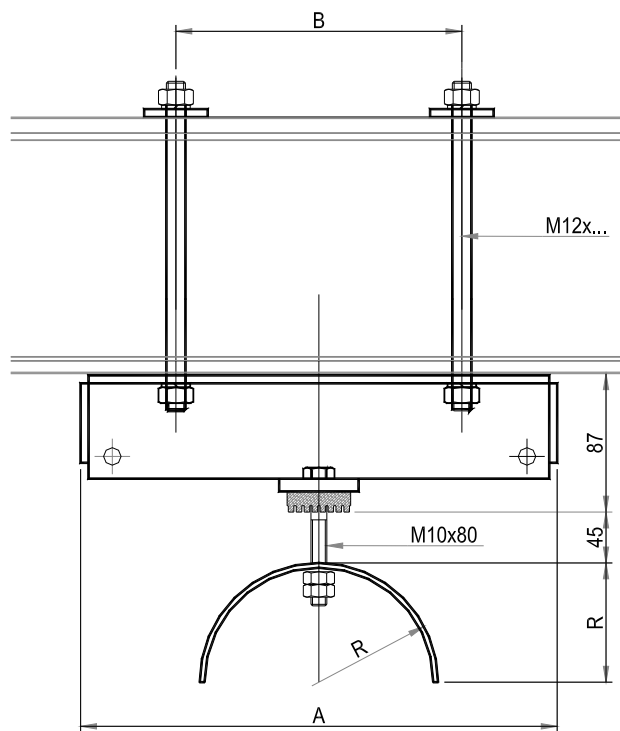
Article	Désignation	A	B	C	D	E	Reposoir
Chariot							Galets diamètre 46/60 x 18 - axe M12
57.821.00	IPN/250/46-GA/2x 80/1BC	250	120	115	180	50	R = 75 mm
57.822.00	IPN/250/46-GA/2x120/1BC	250	120	115	260	90	R = 75 mm
57.823.00	IPN/250/46-GA/2x165/1BC	250	120	115	350	135	R = 75 mm
57.824.00	IPN/250/46-GA/2x210/1BC	250	120	115	440	180	R = 75 mm
57.826.00	IPN/300/46-GA/2x 80/1BC	300	180	115	180	50	R = 75 mm
57.827.00	IPN/300/46-GA/2x120/1BC	300	180	115	260	90	R = 75 mm
57.828.00	IPN/300/46-GA/2x165/1BC	300	180	115	350	135	R = 75 mm
57.829.00	IPN/300/46-GA/2x210/1BC	300	180	115	440	180	R = 75 mm

CHARIOT PORTE CABLE PLAT ROULANT SUR POUTRELLE EQUIPE DE 2 REPOSOIRS + BUTOIR

Article	Désignation	A	B	C	D	E	Reposoir
Chariot		Galets diamètre 80/100 x 25 - axe M16					
57.841.00	IPN/250/80-GA/2x 80/1BC	250	120	160	180	50	R = 75 mm
57.842.00	IPN/250/80-GA/2x120/1BC	250	120	160	260	90	R = 75 mm
57.843.00	IPN/250/80-GA/2x165/1BC	250	120	160	350	135	R = 75 mm
57.844.00	IPN/250/80-GA/2x210/1BC	250	120	160	440	180	R = 75 mm
57.851.00	IPN/300/80-GA/2x 80/1BC	300	180	160	180	50	R = 75 mm
57.852.00	IPN/300/80-GA/2x120/1BC	300	180	160	260	90	R = 75 mm
57.853.00	IPN/300/80-GA/2x165/1BC	300	180	160	350	135	R = 75 mm
57.854.00	IPN/300/80-GA/2x210/1BC	300	180	160	440	180	R = 75 mm
Chariot entraîneur		Galets diamètre 46/60 x 18 - axe M12					
57.865.00	IPN/250/46-GA/2x 80/1BC	250	120	115	180	50	R = 75 mm
57.866.00	IPN/250/46-GA/2x120/1BC	250	120	115	260	90	R = 75 mm
57.867.00	IPN/250/46-GA/2x165/1BC	250	120	115	350	135	R = 75 mm
57.868.00	IPN/250/46-GA/2x210/1BC	250	120	115	440	180	R = 75 mm
57.870.00	IPN/300/46-GA/2x 80/1BC	300	180	115	180	50	R = 75 mm
57.871.00	IPN/300/46-GA/2x120/1BC	300	180	115	260	90	R = 75 mm
57.872.00	IPN/300/46-GA/2x165/1BC	300	180	115	350	135	R = 75 mm
57.873.00	IPN/300/46-GA/2x210/1BC	300	180	115	440	180	R = 75 mm
Chariot entraîneur		Galets diamètre 80/100 x 25 - axe M16					
57.880.00	IPN/250/80-GA/2x 80/1BC	250	120	160	180	50	R = 75 mm
57.881.00	IPN/250/80-GA/2x120/1BC	250	120	160	260	90	R = 75 mm
57.882.00	IPN/250/80-GA/2x165/1BC	250	120	160	350	135	R = 75 mm
57.883.00	IPN/250/80-GA/2x210/1BC	250	120	160	440	180	R = 75 mm
57.885.00	IPN/300/80-GA/2x 80/1BC	300	180	160	180	50	R = 75 mm
57.886.00	IPN/300/80-GA/2x120/1BC	300	180	160	260	90	R = 75 mm
57.887.00	IPN/300/80-GA/2x165/1BC	300	180	160	350	135	R = 75 mm
57.888.00	IPN/300/80-GA/2x210/1BC	300	180	160	440	180	R = 75 mm

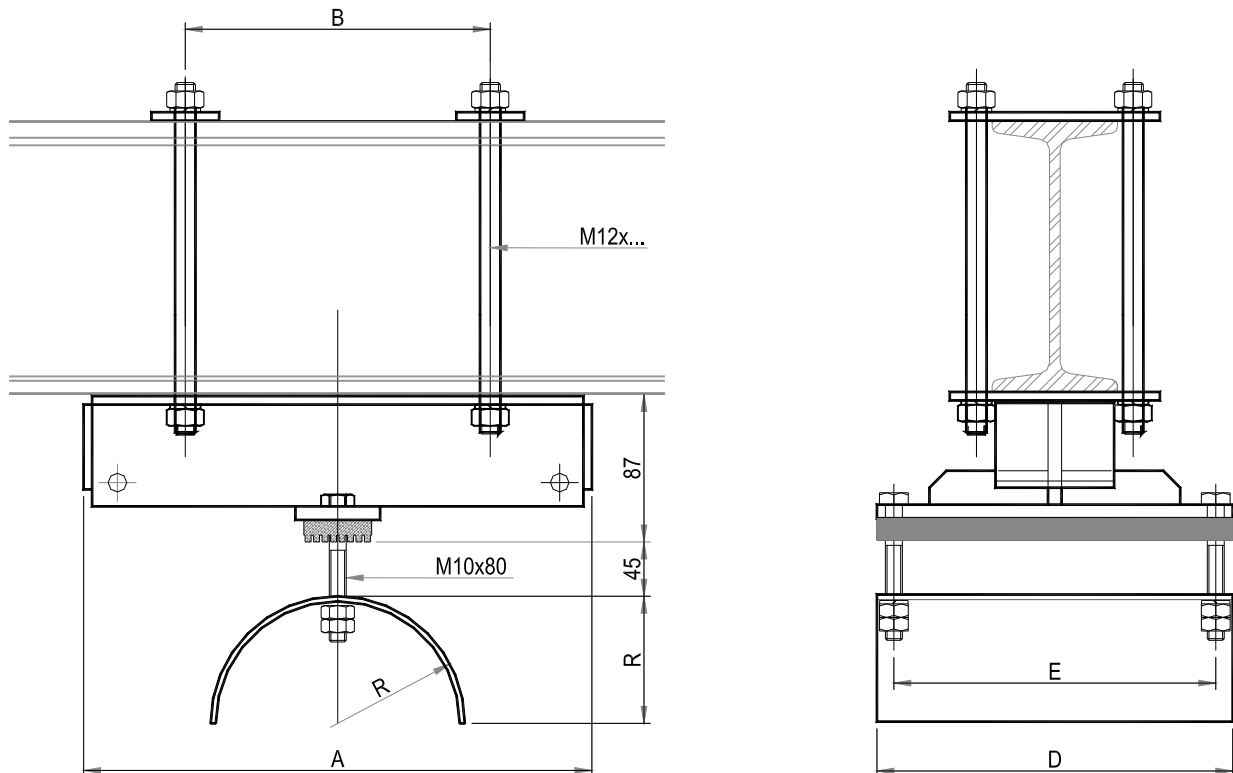
Pièces terminales voir page 5/55

PIECE TERMINALE FIXE POUR CHARIOT IPN



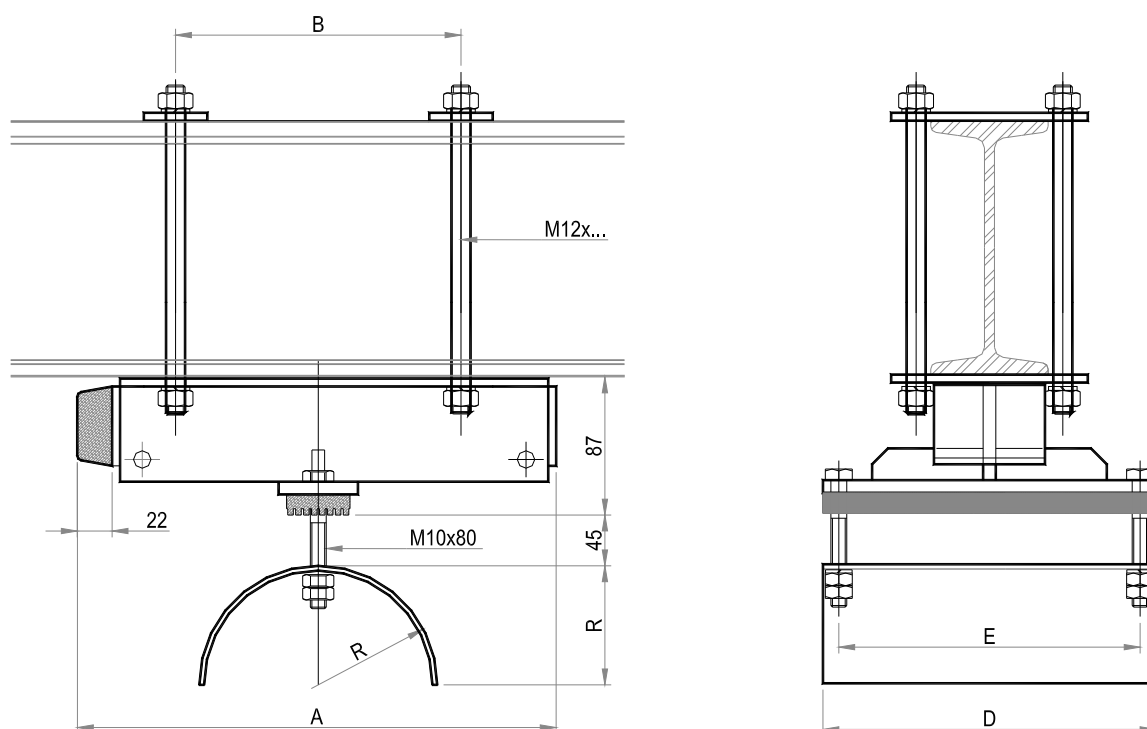
Article	Type	A	B	E	D	Reposoir
56.801.00	150/ 80	150	90	50	80	R = 40 mm
56.802.00	150/120	150	90	100	120	R = 40 mm
56.803.00	150/165	150	90	145	165	R = 40 mm
56.804.00	150/210	150	90	180	210	R = 40 mm
56.805.00	150/255	150	90	225	255	R = 40 mm
56.811.00	200/ 80	200	140	50	80	R = 40 mm
56.812.00	200/120	200	140	100	120	R = 40 mm
56.813.00	200/165	200	140	145	165	R = 40 mm
56.814.00	200/210	200	140	180	210	R = 40 mm
56.815.00	200/255	200	140	225	255	R = 40 mm
56.821.00	250/ 80	250	190	50	80	R = 75 mm
56.822.00	250/120	250	190	100	120	R = 75 mm
56.823.00	250/165	250	190	145	165	R = 75 mm
56.824.00	250/210	250	190	180	210	R = 75 mm
56.825.00	250/255	250	190	225	255	R = 75 mm
56.831.00	300/ 80	300	240	50	80	R = 75 mm
56.832.00	300/120	300	240	100	120	R = 75 mm
56.833.00	300/165	300	240	145	165	R = 75 mm
56.834.00	300/210	300	240	180	210	R = 75 mm
56.835.00	300/255	300	240	225	255	R = 75 mm

PIECE TERMINALE FIXE POUR CHARIOT IPN ACIER INOX 316



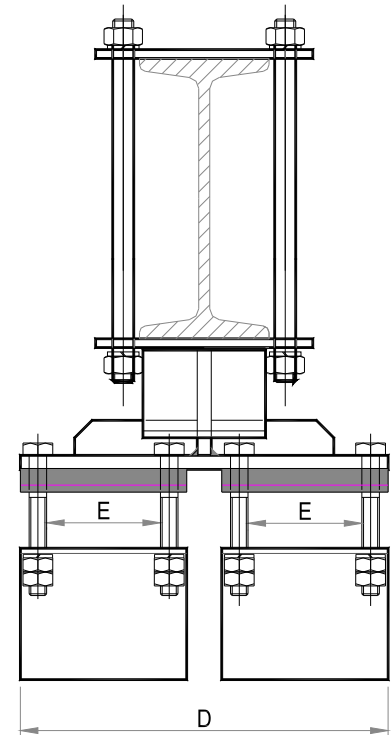
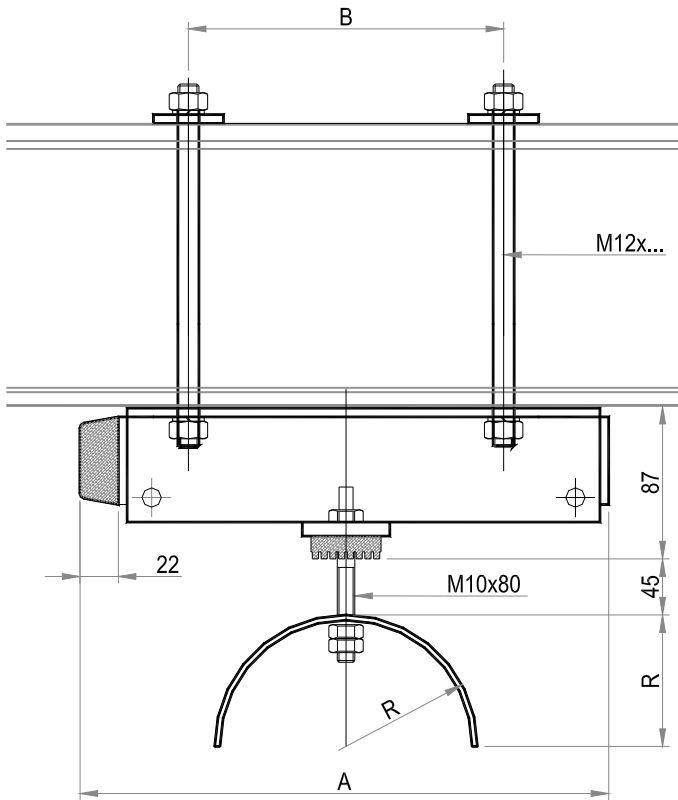
Article	Type	A	B	E	D	Reposoir
56.851.00	150/ 80	150	90	50	80	R = 40 mm
56.852.00	150/120	150	90	100	120	R = 40 mm
56.853.00	150/165	150	90	145	165	R = 40 mm
56.854.00	150/210	150	90	180	210	R = 40 mm
56.855.00	150/255	150	90	225	255	R = 40 mm
56.861.00	200/ 80	200	140	50	80	R = 40 mm
56.862.00	200/120	200	140	100	120	R = 40 mm
56.863.00	200/165	200	140	145	165	R = 40 mm
56.864.00	200/210	200	140	180	210	R = 40 mm
56.865.00	200/255	200	140	225	255	R = 40 mm
56.871.00	250/ 80	250	190	50	80	R = 75 mm
56.872.00	250/120	250	190	100	120	R = 75 mm
56.873.00	250/165	250	190	145	165	R = 75 mm
56.874.00	250/210	250	190	180	210	R = 75 mm
56.875.00	250/255	250	190	225	255	R = 75 mm
56.881.00	300/ 80	300	240	50	80	R = 75 mm
56.882.00	300/120	300	240	100	120	R = 75 mm
56.883.00	300/165	300	240	145	165	R = 75 mm
56.884.00	300/210	300	240	180	210	R = 75 mm
56.885.00	300/255	300	240	225	255	R = 75 mm

PIECE TERMINALE FIXE POUR CHARIOT IPN AVEC BUTOIR CAOUTCHOUC



Article	Type	A	B	E	D	Reposoir
56.901.00	150/ 80	150	90	50	80	R = 40 mm
56.902.00	150/120	150	90	100	120	R = 40 mm
56.903.00	150/165	150	90	145	165	R = 40 mm
56.904.00	150/210	150	90	180	210	R = 40 mm
56.905.00	150/255	150	90	225	255	R = 40 mm
56.911.00	200/ 80	200	140	50	80	R = 40 mm
56.912.00	200/120	200	140	100	120	R = 40 mm
56.913.00	200/165	200	140	145	165	R = 40 mm
56.914.00	200/210	200	140	180	210	R = 40 mm
56.915.00	200/255	200	140	225	255	R = 40 mm
56.921.00	250/ 80	250	190	50	80	R = 75 mm
56.922.00	250/120	250	190	100	120	R = 75 mm
56.923.00	250/165	250	190	145	165	R = 75 mm
56.924.00	250/210	250	190	180	210	R = 75 mm
56.925.00	250/255	250	190	225	255	R = 75 mm
56.931.00	300/ 80	300	240	50	80	R = 75 mm
56.932.00	300/120	300	240	100	120	R = 75 mm
56.933.00	300/165	300	240	145	165	R = 75 mm
56.934.00	300/210	300	240	180	210	R = 75 mm
56.935.00	300/255	300	240	225	255	R = 75 mm

PIECE TERMINALE FIXE POUR CHARIOT IPN EQUIPEE DE 2 REPOSOIRS



Article	Type	A	B	E	D	Reposoir
56.961.00	200/2 x 080	200	140	50	180	R = 40 mm
56.962.00	200/2 x 120	200	140	100	260	R = 40 mm
56.963.00	200/2 x 165	200	140	145	350	R = 40 mm
56.964.00	200/2 x 210	200	140	180	440	R = 40 mm
56.965.00	200/2 x 255	200	140	225	530	R = 40 mm
56.971.00	250/2 x 080	250	190	50	180	R = 75 mm
56.972.00	250/2 x 120	250	190	100	260	R = 75 mm
56.973.00	250/2 x 165	250	190	145	350	R = 75 mm
56.974.00	250/2 x 210	250	190	180	440	R = 75 mm
56.975.00	250/2 x 255	250	190	225	530	R = 75 mm
56.981.00	300/2 x 080	300	240	50	180	R = 75 mm
56.982.00	300/2 x 120	300	240	100	260	R = 75 mm
56.983.00	300/2 x 165	300	240	145	350	R = 75 mm
56.984.00	300/2 x 210	300	240	180	440	R = 75 mm
56.985.00	300/2 x 255	300	240	225	530	R = 75 mm

CHARIOT PORTE CABLE ROULANT SUR POUTRELLE

DESCRIPTION

Type PF1121 - exécution pour câbles plats



Construction

- Exécution entièrement en acier zingué.
- Galets de roulement diamètre 40/60 épaisseur 21 mm, axe M12.
- Reposoir câble plat, largeur utile 62, 92, 137 et 180 mm.
- Equipés de 4 butoirs cylindriques en caoutchouc.

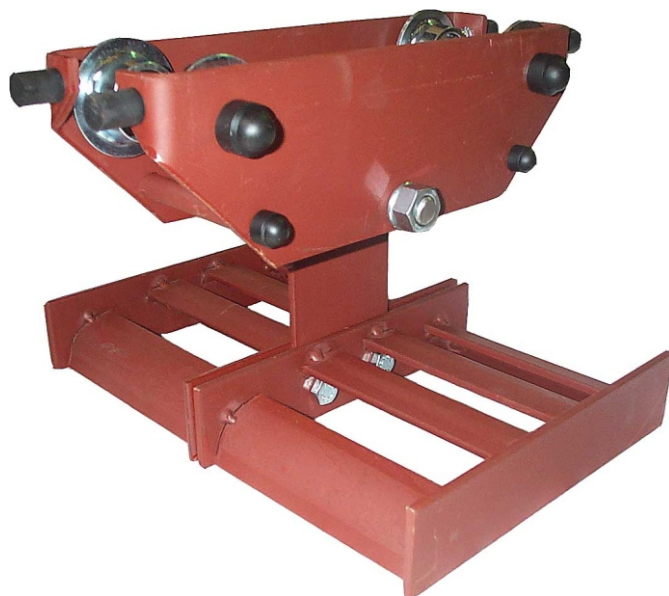
Nos chariots sont destinés à rouler sur l'aile inférieure d'une poutrelle standard soit IPN, IPE, HEB, etc..

Type PF1282 - exécution pour câbles ronds

Construction

- Exécution en acier peint.
- Galets de roulement diamètre 40/60 épaisseur 21 mm, axe M12.
- Reposoirs câbles ronds, largeur utile 100 et 150 mm.
- Equipés de 4 butoirs cylindriques en caoutchouc.

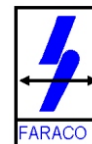
Nos chariots sont destinés à rouler sur l'aile inférieure d'une poutrelle standard soit IPN, IPE, HEB, etc..



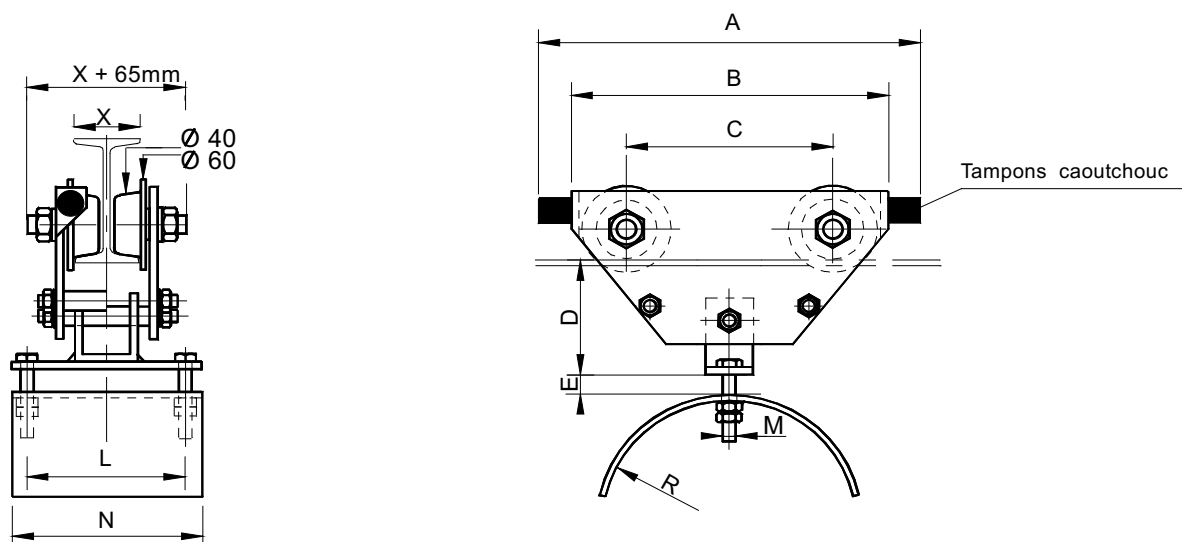
Charge admissible 80 kg.

MATERIEL TYPE PF1121

REPOSOIR CABLES PLATS



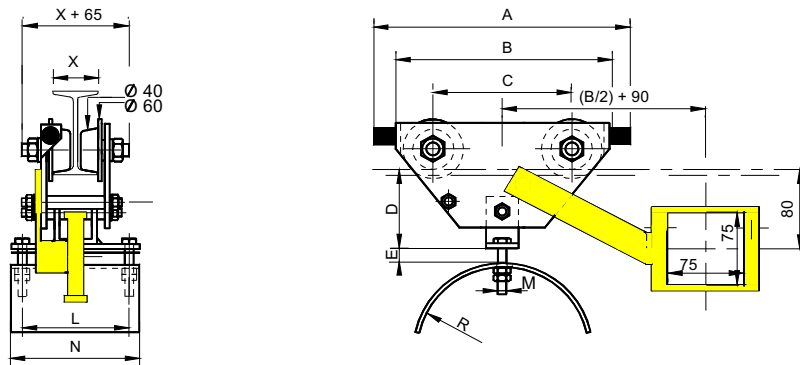
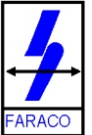
Construction robuste en acier zingué.
Galets acier montés sur roulement à billes étanche.
Charge admissible : 80 kg



Chariot porte-câbles équipé de 4 galets acier montés sur roulement à billes étanche.

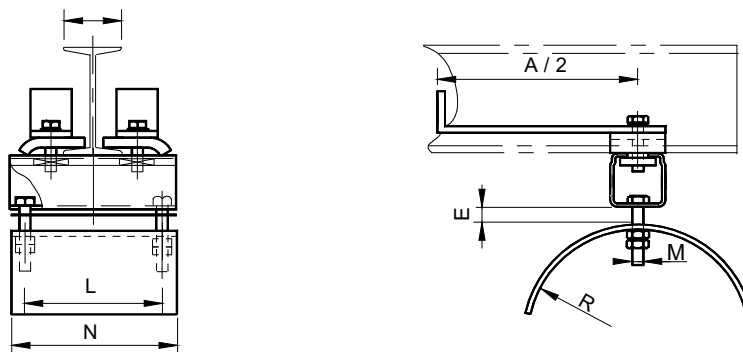
Article	Poids	A	B	C	D	E	M	R	L	N
320100	2,50 kg	-	160	80	75	25	6	20	68	85
320110	2,55 kg	200	160	80	75	25	6	20	68	85
320120	2,80 kg	200	160	80	75	30	8	40	100	120
320130	2,90 kg	200	160	80	75	30	8	40	145	165
320140	3,20 kg	240	200	120	75	30	8	40	100	120
320150	3,30 kg	240	200	120	75	30	8	40	145	165
320160	3,40 kg	290	250	170	75	30	10	40	100	120
320170	3,90 kg	290	250	170	75	50	10	80	100	120
320180	4,10 kg	290	250	170	75	50	10	80	145	165
320190	4,50 kg	290	250	170	75	50	10	80	190	210

MATERIEL TYPE PF1121 REPOSOIR CABLES PLATS



Chariot entraîneur identique au chariot porte-câbles, mais équipé d'un bras d'entraînement.

Article	Poids	A	B	C	D	E	M	R	L	N
320101	3,00 kg	-	160	80	75	25	6	20	68	85
320111	3,05 kg	200	160	80	75	25	6	20	68	85
320121	3,30 kg	200	160	80	75	30	8	40	100	120
320131	3,40 kg	200	160	80	75	30	8	40	145	165
320141	3,70 kg	240	200	120	75	30	8	40	100	120
320151	3,80 kg	240	200	120	75	30	8	40	145	165
320161	3,90 kg	290	250	170	75	30	10	40	100	120
320171	4,40 kg	290	250	170	75	50	10	80	100	120
320181	4,50 kg	290	250	170	75	50	10	80	145	165
320191	5,00 kg	290	250	170	75	50	10	80	190	210



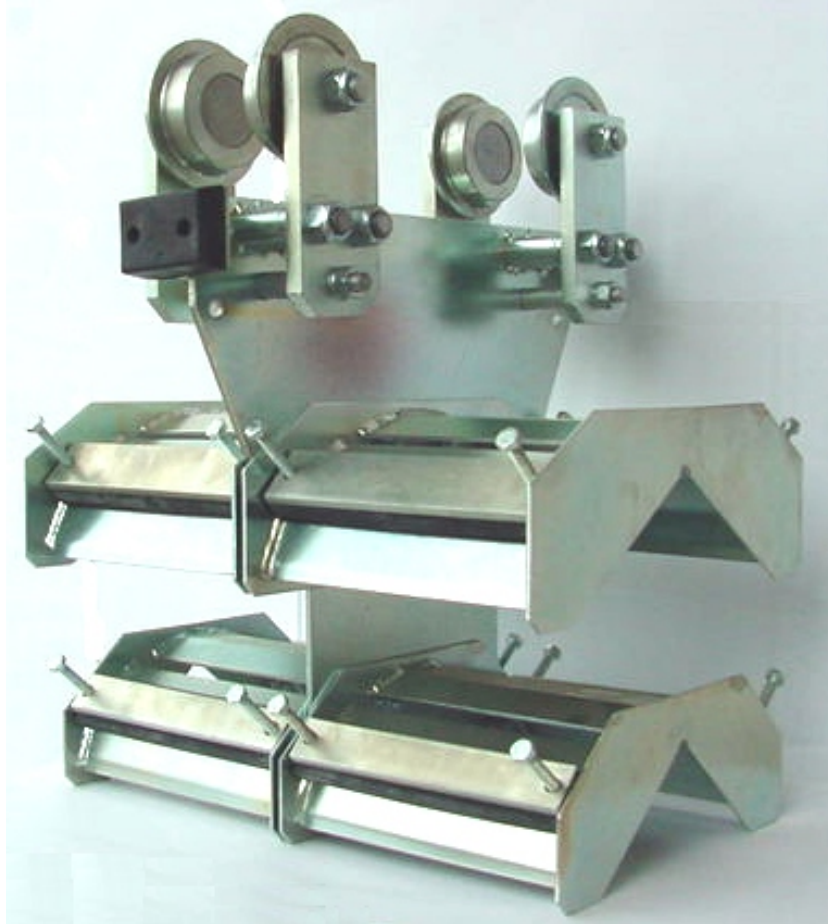
Pièce terminale se clame en début de ligne sur le fer de roulement.

Article	Poids	A	B	C	D	E	M	R	L	N
320102	1,00 kg	-	160	80	75	25	6	20	68	85
320112	1,00 kg	200	160	80	75	25	6	20	68	85
320122	1,30 kg	200	160	80	75	30	8	40	100	120
320132	1,40 kg	200	160	80	75	30	8	40	145	165
320142	1,70 kg	240	200	120	75	30	8	40	100	120
320152	1,90 kg	240	200	120	75	30	8	40	145	165
320162	1,90 kg	290	250	170	75	30	10	40	100	120
320172	2,40 kg	290	250	170	75	50	10	80	100	120
320182	2,60 kg	290	250	170	75	50	10	80	145	165
320192	3,00 kg	290	250	170	75	50	10	80	190	210

CHARIOT PORTE-CABLE ROULANT SUR IPN OU IPE

DESCRIPTION

Exécution pour câble rond



Construction

- Construction entièrement en acier zinguée.
- Galets de roulement en acier dur cémenté et zingué
 - diamètre 46/60 épaisseur 18 mm, axe M12.
 - diamètre 80/100 épaisseur 25 mm, axe M16.
 - diamètre 100/120 et 120/144 épaisseur 31,5 mm, axe taraudé M16.
- Reposoir pour câble rond, largeur utile 50, 100, 150, 200, 250 et 300 mm.
- Fixation des câbles ronds par des attaches collectives ou attaches Niedax type BW chaque câble fixé par 2 attaches.

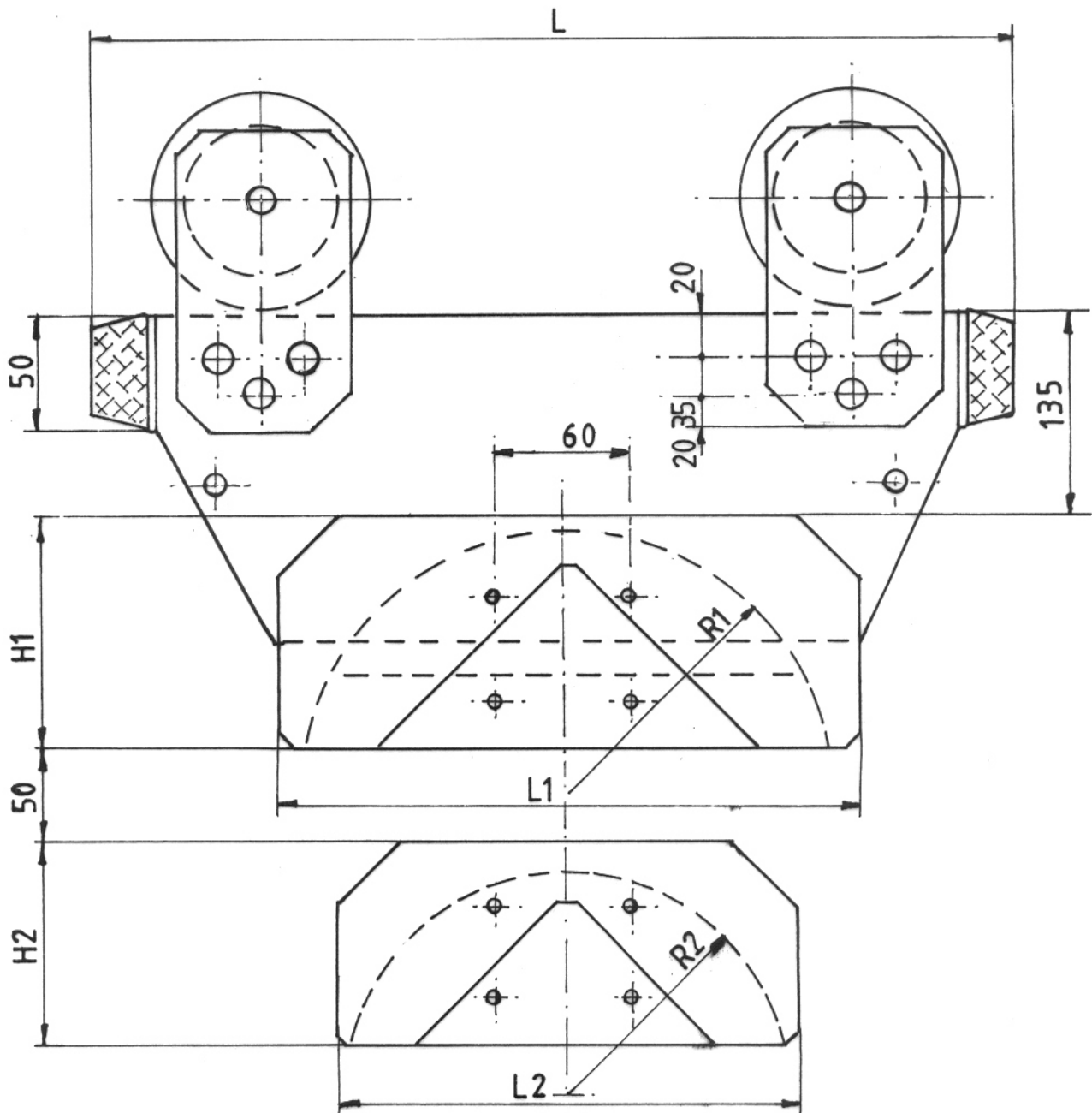
Nos chariots peuvent être munis de 4 contre galets et de galets guide latéraux diamètre 52 mm.

Nos chariots sont destinés à rouler sur l'aile inférieure standard, soit IPN, IPE, HEB, IPER etc...

En cas de commande, il faut toujours spécifier le type de la poutelle.

Ces chariots sont également disponibles en acier inoxydable.

CHARIOT PORTE-CABLE ROULANT SUR IPN OU IPE ENCOMBREMENT

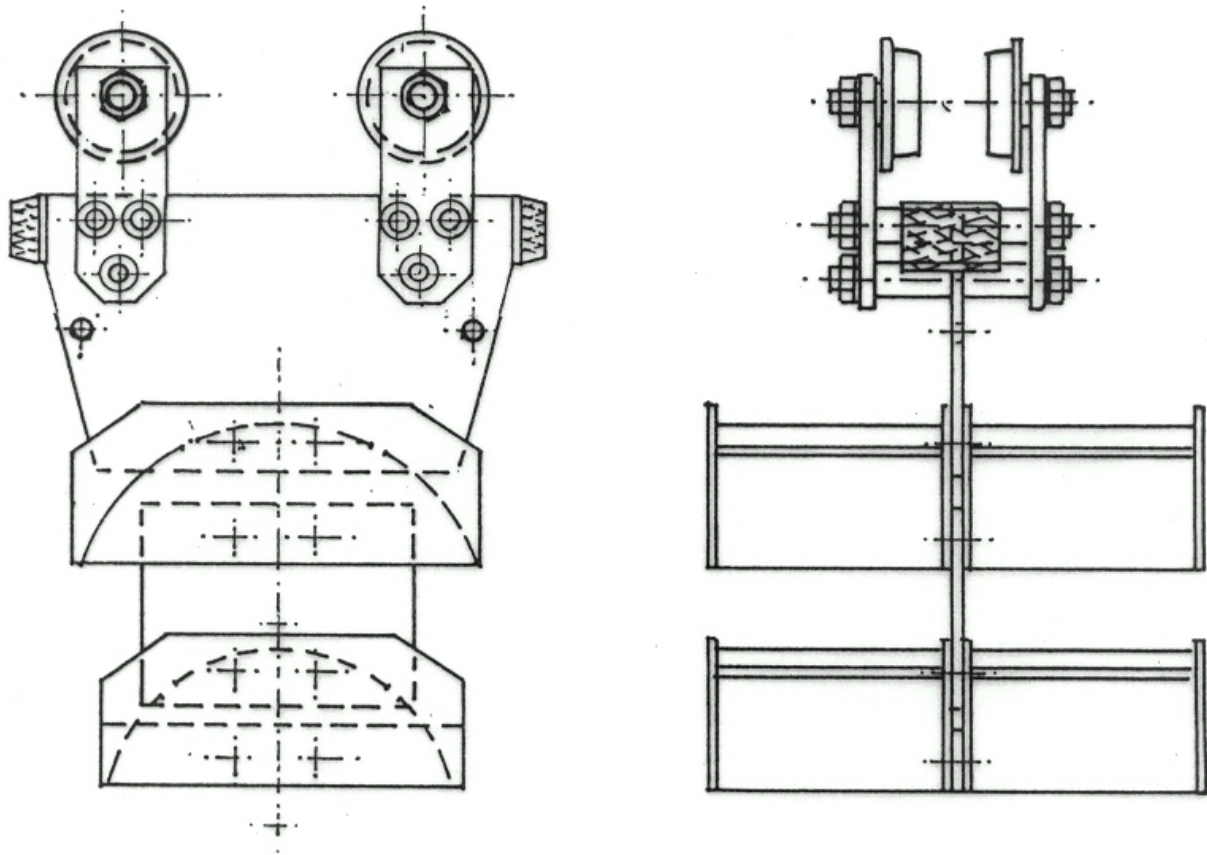


Longueur chariots	1er étage $L1 \times H1 \times R1$	2ème étage $L2 \times H2 \times R2$	3ème étage $L3 \times H3 \times R3$
250	200 x 80 x 90 mm	-	-
375	265 x 110 x 120 mm	200 x 80 x 90 mm	-
450	325 x 120 x 155 mm	265 x 110 x 120 mm	200 x 80 x 90 mm
525	400 x 140 x 200 mm	325 x 120 x 155 mm	265 x 110 x 120 mm
625	500 x 190 x 250 mm	400 x 140 x 200 mm	325 x 120 x 155 mm

Largeurs disponibles de 50 en 50 mm, de 50 à 350 mm.

CHARIOT ROULANT SUR IPN ATTACHES CABLES RONDS

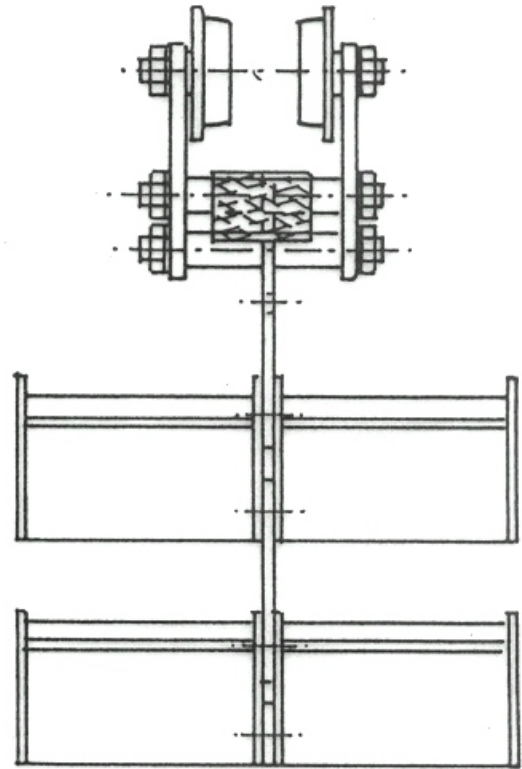
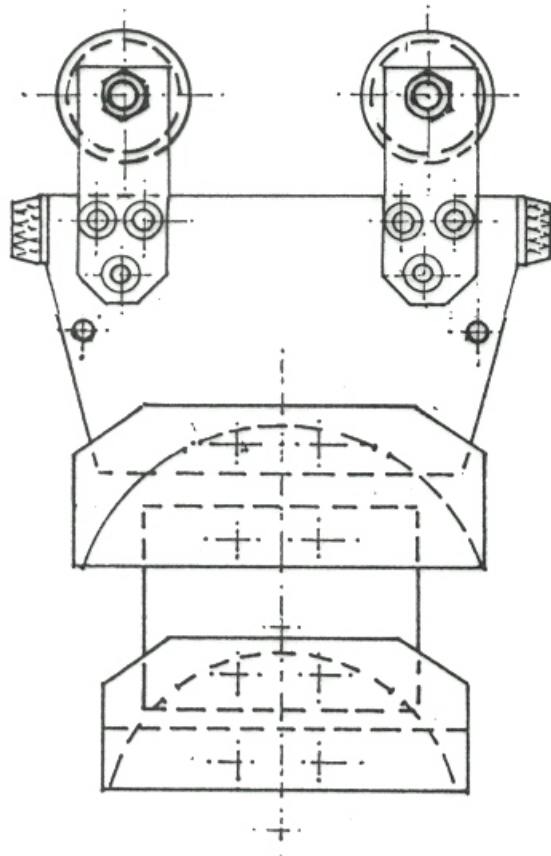
Pour IPN 120 minimum



Article	Désignation	Long	Largeur	R1	R2	R3
Chariot				Galets diamètre 46/60 x 23 - axe M12		
50.735.11	IPN../250/46-GA/1 ét 2 x 100	250	230	90	-	-
50.735.12	IPN../250/46-GA/1 ét 2 x 200	250	430	90	-	-
50.736.11	IPN../375/46-GA/1 ét 2 x 100	375	230	120	-	-
50.736.12	IPN../375/46-GA/1 ét 2 x 200	375	430	120	-	-
50.736.21	IPN../375/46-GA/2 ét 2 x 100	375	230	120	90	-
50.736.22	IPN../375/46-GA/2 ét 2 x 200	375	430	120	90	-
50.737.11	IPN../450/46-GA/1 ét 2 x 100	450	230	155	-	-
50.737.12	IPN../450/46-GA/1 ét 2 x 200	450	430	155	-	-
50.737.21	IPN../450/46-GA/2 ét 2 x 100	450	230	155	120	-
50.737.22	IPN../450/46-GA/2 ét 2 x 200	450	430	155	120	-
50.737.31	IPN../450/46-GA/3 ét 2 x 100	450	230	155	120	90
50.737.32	IPN../450/46-GA/3 ét 2 x 200	450	430	155	120	90
50.738.11	IPN../525/46-GA/1 ét 2 x 100	525	230	200	-	-
50.738.12	IPN../525/46-GA/1 ét 2 x 200	525	430	200	-	-
50.738.21	IPN../525/46-GA/2 ét 2 x 100	525	230	200	155	-
50.738.22	IPN../525/46-GA/2 ét 2 x 200	525	430	200	155	-
50.738.31	IPN../525/46-GA/3 ét 2 x 100	525	230	200	155	120
50.738.32	IPN../525/46-GA/3 ét 2 x 200	525	430	200	155	120

CHARIOT ROULANT SUR IPN ATTACHES CABLES RONDS

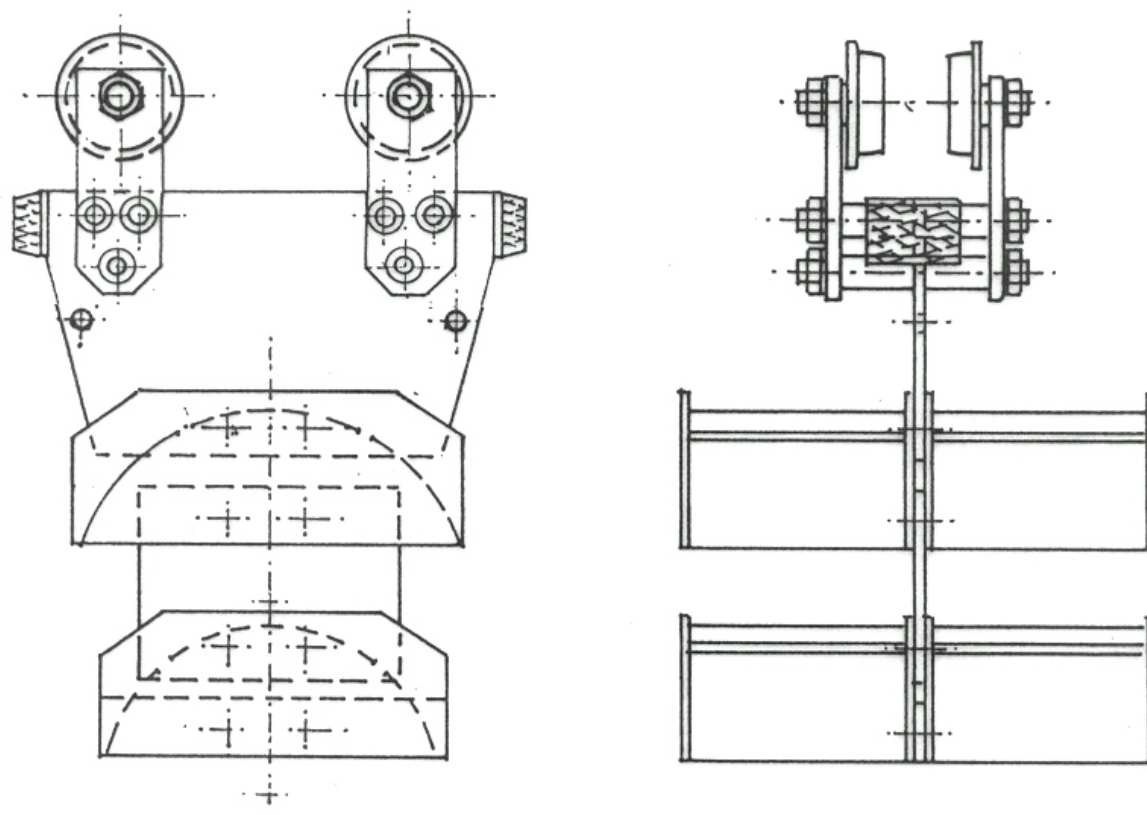
Pour IPN 120 minimum



Article	Désignation	Long	Largeur	R1	R2	R3
Chariot			Galets diamètre 80/100 x 25 - axe M16			
50.740.11	IPN../250/80-GA/1 ét 2 x 100	250	230	90	-	-
50.740.12	IPN../250/80-GA/1 ét 2 x 200	250	430	90	-	-
50.741.11	IPN../375/80-GA/1 ét 2 x 100	375	230	120	-	-
50.741.12	IPN../375/80-GA/1 ét 2 x 200	375	430	120	-	-
50.741.21	IPN../375/80-GA/2 ét 2 x 100	375	230	120	90	-
50.741.22	IPN../375/80-GA/2 ét 2 x 200	375	430	120	90	-
50.742.11	IPN../450/80-GA/1 ét 2 x 100	450	230	155	-	-
50.742.12	IPN../450/80-GA/1 ét 2 x 200	450	430	155	-	-
50.742.21	IPN../450/80-GA/2 ét 2 x 100	450	230	155	120	-
50.742.22	IPN../450/80-GA/2 ét 2 x 200	450	430	155	120	-
50.742.31	IPN../450/80-GA/3 ét 2 x 100	450	230	155	120	90
50.742.32	IPN../450/80-GA/3 ét 2 x 200	450	430	155	120	90
50.743.11	IPN../525/80-GA/1 ét 2 x 100	525	230	200	-	-
50.743.12	IPN../525/80-GA/1 ét 2 x 200	525	430	200	-	-
50.743.21	IPN../525/80-GA/2 ét 2 x 100	525	230	200	155	-
50.743.22	IPN../525/80-GA/2 ét 2 x 200	525	430	200	155	-
50.743.31	IPN../525/80-GA/3 ét 2 x 100	525	230	200	155	120
50.743.32	IPN../525/80-GA/3 ét 2 x 200	525	430	200	155	120

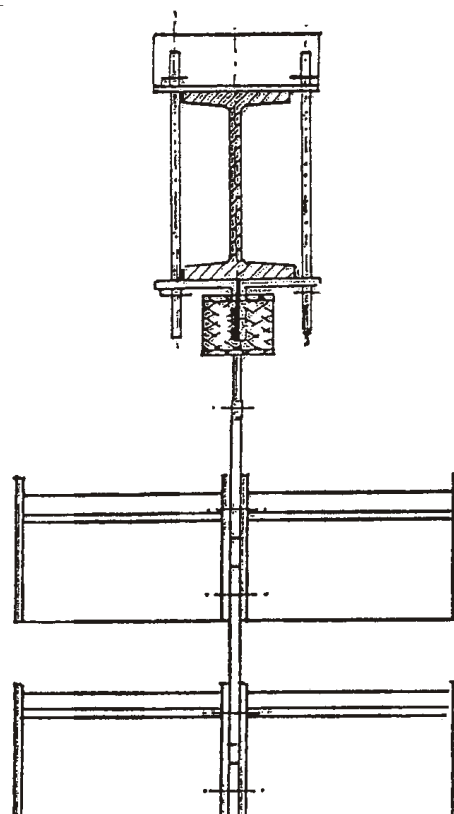
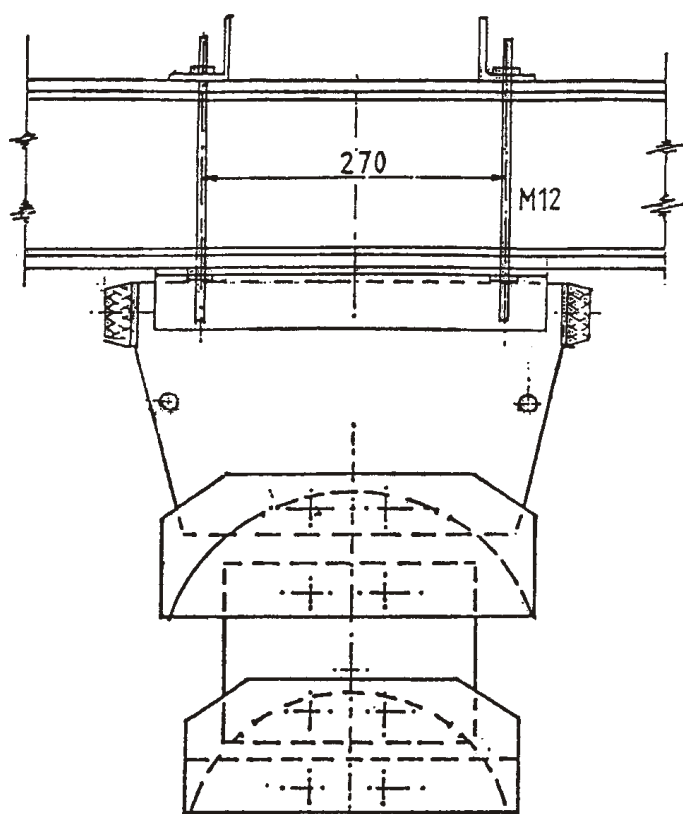
CHARIOT ROULANT SUR IPN-IPE ATTACHES CÂBLES RONDS

Pour IPN 160 minimum



Article	Désignation	Long	Largeur	R1	R2	R3	
Chariot		Galets diamètre 100/120 et 120/144 mm - axe M16					
50.746.11	IPN../450/100-120/1 ét 2 x 100	450	230	155	-	-	
50.746.12	IPN../450/100-120/1 ét 2 x 200	450	430	155	-	-	
50.746.13	IPN../450/100-120/1 ét 2 x 300	450	630	155	-	-	
50.746.21	IPN../450/100-120/2 ét 2 x 100	450	230	155	120	-	
50.746.22	IPN../450/100-120/2 ét 2 x 200	450	430	155	120	-	
50.746.23	IPN../450/100-120/2 ét 2 x 300	450	630	155	120	-	
50.746.31	IPN../450/100-120/3 ét 2 x 100	450	230	155	120	90	
50.746.32	IPN../450/100-120/3 ét 2 x 200	450	430	155	120	90	
50.746.33	IPN../450/100-120/3 ét 2 x 300	450	630	155	120	90	
50.747.11	IPN../525/120-144/1 ét 2 x 100	525	230	200	-	-	
50.747.12	IPN../525/120-144/1 ét 2 x 200	525	430	200	-	-	
50.747.13	IPN../525/120-144/1 ét 2 x 300	525	630	200	-	-	
50.747.21	IPN../525/120-144/2 ét 2 x 100	525	230	200	155	-	
50.747.22	IPN../525/120-144/2 ét 2 x 200	525	430	200	155	-	
50.747.23	IPN../525/120-144/2 ét 2 x 300	525	630	200	155	-	
50.747.31	IPN../525/120-144/3 ét 2 x 100	525	230	200	155	120	
50.747.32	IPN../525/120-144/3 ét 2 x 200	525	430	200	155	120	
50.747.33	IPN../525/120-144/3 ét 2 x 300	525	630	200	155	120	

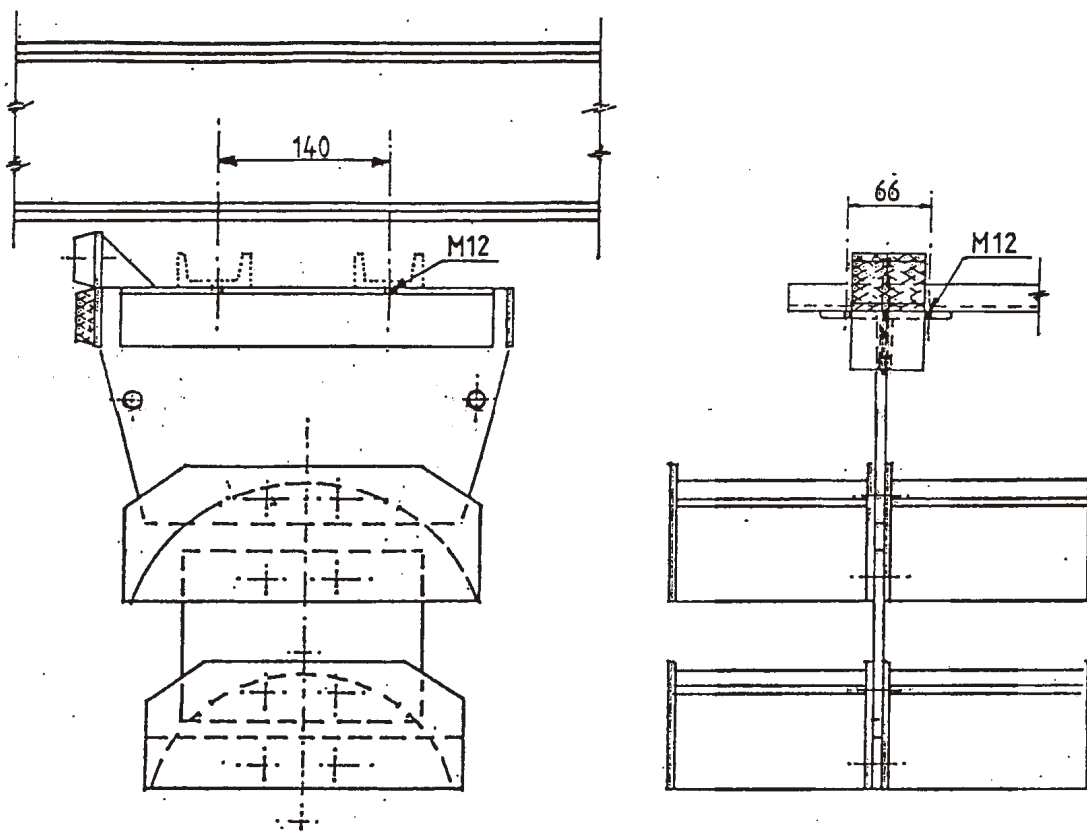
PIECE TERMINALE FIXE



Exécution acier zinguée.

Article	Désignation	Long	Largeur	R1	R2	R3
50.785.11	PTF - IPN../250/1 ét 2 x 100	250	230	90	-	-
50.785.12	PTF - IPN../250/2 ét 2 x 100	250	430	90	-	-
50.786.11	PTF - IPN../375/1 ét 2 x 100	375	230	120	-	-
50.786.12	PTF - IPN../375/1 ét 2 x 200	375	430	120	-	-
50.786.21	PTF - IPN../375/2 ét 2 x 100	375	230	120	90	-
50.786.22	PTF - IPN../375/2 ét 2 x 200	375	430	120	90	-
50.787.11	PTF - IPN../450/1 ét 2 x 100	450	230	155	-	-
50.787.12	PTF - IPN../450/1 ét 2 x 200	450	430	155	-	-
50.787.21	PTF - IPN../450/2 ét 2 x 100	450	230	155	120	-
50.787.22	PTF - IPN../450/2 ét 2 x 200	450	430	155	120	-
50.787.31	PTF - IPN../450/3 ét 2 x 100	450	230	155	120	90
50.787.32	PTF - IPN../450/3 ét 2 x 200	450	430	155	120	90
50.788.11	PTF - IPN../525/1 ét 2 x 100	525	230	200	-	-
50.788.12	PTF - IPN../525/1 ét 2 x 200	525	430	200	-	-
50.788.21	PTF - IPN../525/2 ét 2 x 100	525	230	200	155	-
50.788.22	PTF - IPN../525/2 ét 2 x 200	525	430	200	155	-
50.788.23	PTF - IPN../525/2 ét 2 x 300	525	630	200	155	120
50.788.31	PTF - IPN../525/3 ét 2 x 100	525	230	200	155	120
50.788.32	PTF - IPN../525/3 ét 2 x 200	525	420	200	155	120
50.788.33	PTF - IPN../525/3 ét 2 x 300	525	630	200	155	120

PIECE TERMINALE MOBILE

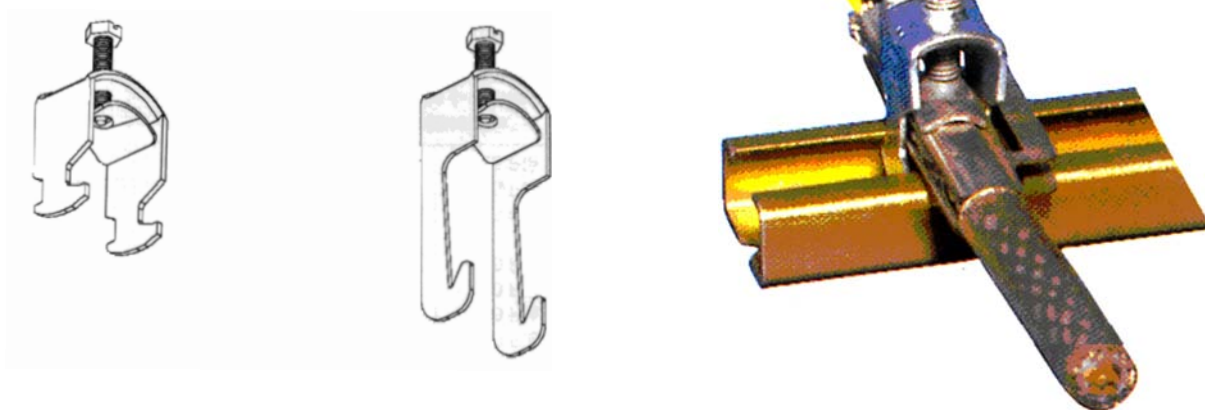


Exécution acier zinguée.

Article	Désignation	Long	Largeur	R1	R2	R3
50.790.11	PTM - IPN../250/1 ét 2 x 100	250	230	90	-	-
50.790.12	PTM - IPN../250/2 ét 2 x 100	250	430	90	-	-
50.791.11	PTM - IPN../375/1 ét 2 x 100	375	230	120	-	-
50.791.12	PTM - IPN../375/1 ét 2 x 200	375	430	120	-	-
50.791.21	PTM - IPN../375/2 ét 2 x 100	375	230	120	90	-
50.791.22	PTM - IPN../375/2 ét 2 x 200	375	430	120	90	-
50.792.11	PTM - IPN../450/1 ét 2 x 100	450	230	155	-	-
50.792.12	PTM - IPN../450/1 ét 2 x 200	450	430	155	-	-
50.792.21	PTM - IPN../450/2 ét 2 x 100	450	230	155	120	-
50.792.22	PTM - IPN../450/2 ét 2 x 200	450	430	155	120	-
50.792.31	PTM - IPN../450/3 ét 2 x 100	450	230	155	120	90
50.792.32	PTM - IPN../450/3 ét 2 x 200	450	430	155	120	90
50.793.11	PTM - IPN../525/1 ét 2 x 100	525	230	200	-	-
50.793.12	PTM - IPN../525/1 ét 2 x 200	525	430	200	-	-
50.793.21	PTM - IPN../525/2 ét 2 x 100	525	230	200	155	-
50.793.22	PTM - IPN../525/2 ét 2 x 200	525	430	200	155	-
50.793.23	PTM - IPN../525/2 ét 2 x 300	525	630	200	155	-
50.793.31	PTM - IPN../525/3 ét 2 x 100	525	230	200	155	120
50.793.32	PTM - IPN../525/3 ét 2 x 200	525	430	200	155	120
50.793.33	PTM - IPN../525/3 ét 2 x 300	525	630	200	155	120

CHARIOT PORTE-CÂBLE ROULANT SUR IPN OU IPE ACCESSOIRES

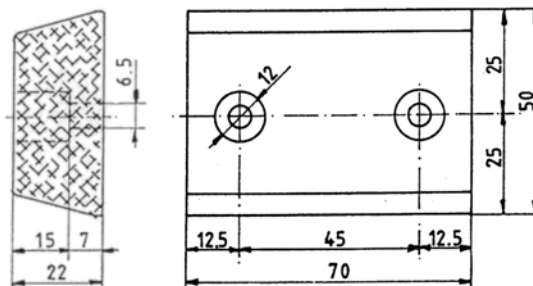
Attache câble rond NIEDAX en acier galvanisé avec contre plaque.



Article	Type	Article	Type	Câble rond diamètre	Largeur
50.798.12	B 12	50.797.12	BW 12	8 à 12 mm	16
50.798.16	B 16	50.797.16	BW 16	12 à 16 mm	21
50.798.18	B 18	50.797.18	BW 18	14 à 18 mm	23
50.798.22	B 22	50.797.22	BW 22	18 à 22 mm	27
50.798.26	B 26	50.797.26	BW 26	22 à 26 mm	30
50.798.30	B 30	50.797.30	BW 30	26 à 30 mm	37
50.798.34	B 34	50.797.34	BW 34	30 à 34 mm	41
50.798.38	B 38	50.797.38	BW 38	34 à 38 mm	45
50.798.42	B 42	50.797.42	BW 42	38 à 42 mm	49
50.798.46	B 46	50.797.46	BW 46	42 à 46 mm	53
50.798.50	B 50	50.797.50	BW 50	46 à 50 mm	57
50.798.54	B 54	50.797.54	BW 54	50 à 54 mm	61
50.798.58	B 58	50.797.58	BW 58	54 à 58 mm	65
50.798.64	B 64	50.797.64	BW 64	58 à 64 mm	73

Article n° 50.770.00

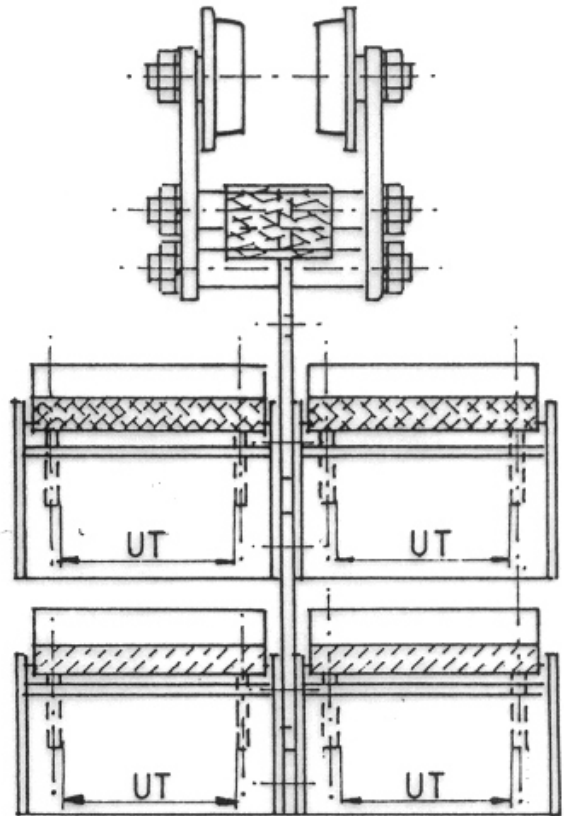
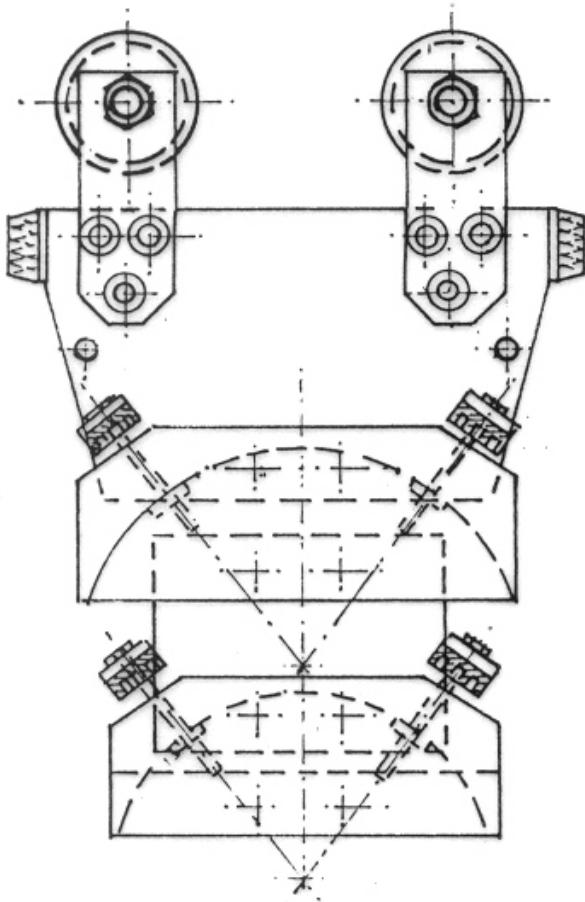
Butoir en caoutchouc



CHARIOT ROULANT SUR IPN

reposer câbles plats

Pour IPN 100 minimum

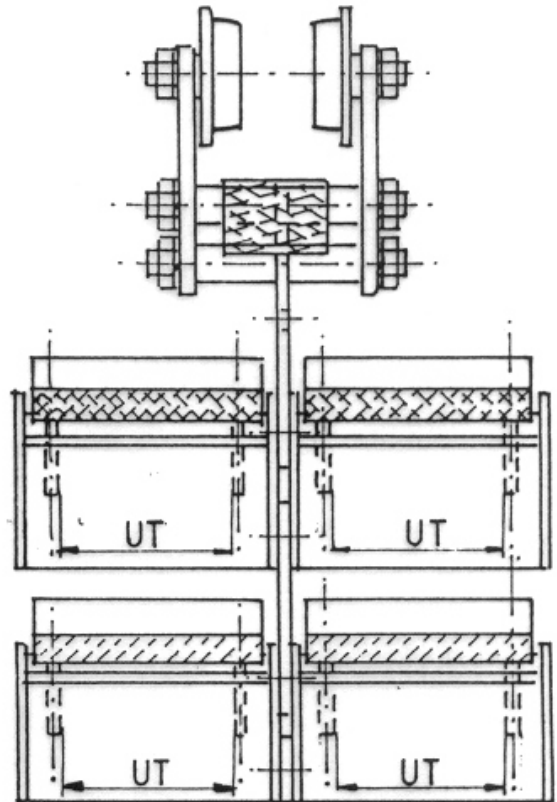
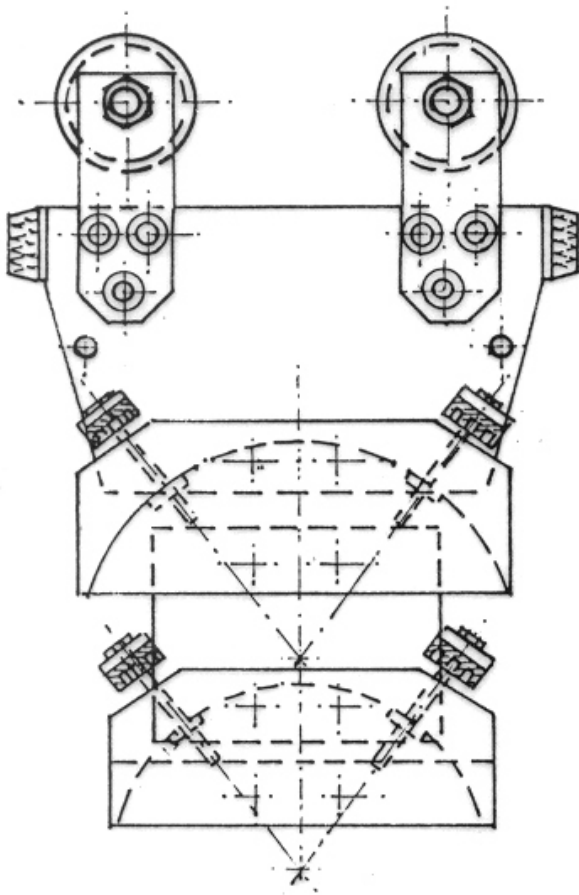


Article	Désignation	Long	Largeur	R1	R2	UT	
Chariot		Galets diamètre 46/60 x 18 - axe M12					
57.736.112	IPN../375/46-GA/1 ét 2 x 120	375	268	120	-	90 x 45	
57.736.116	IPN../375/46-GA/1 ét 2 x 165	375	358	120	-	135 x 45	
57.736.121	IPN../375/46-GA/1 ét 2 x 210	375	448	120	-	180 x 45	
57.736.125	IPN../375/46-GA/1 ét 2 x 255	375	538	120	-	225 x 45	
57.736.212	IPN../375/46-GA/2 ét 2 x 120	375	268	120	90	90 x 45	
57.736.216	IPN../375/46-GA/2 ét 2 x 165	375	358	120	90	135 x 45	
57.736.221	IPN../375/46-GA/2 ét 2 x 210	375	448	120	90	180 x 45	
57.736.225	IPN../375/46-GA/2 ét 2 x 255	375	538	120	90	225 x 45	
57.737.112	IPN../450/46-GA/1 ét 2 x 120	450	268	155	120	90 x 45	
57.737.116	IPN../450/46-GA/1 ét 2 x 165	450	358	155	120	135 x 45	
57.737.121	IPN../450/46-GA/1 ét 2 x 210	450	448	155	120	180 x 45	
57.737.125	IPN../450/46-GA/1 ét 2 x 255	450	538	155	120	225 x 45	
57.737.212	IPN../450/46-GA/2 ét 2 x 120	450	268	155	120	90 x 45	
57.737.216	IPN../450/46-GA/2 ét 2 x 165	450	358	155	120	135 x 45	
57.737.221	IPN../450/46-GA/2 ét 2 x 210	450	448	155	120	180 x 45	
57.737.225	IPN../450/46-GA/2 ét 2 x 255	450	538	155	120	225 x 45	

CHARIOT ROULANT SUR IPN

repositoir câbles plats

Pour IPN 120 minimum

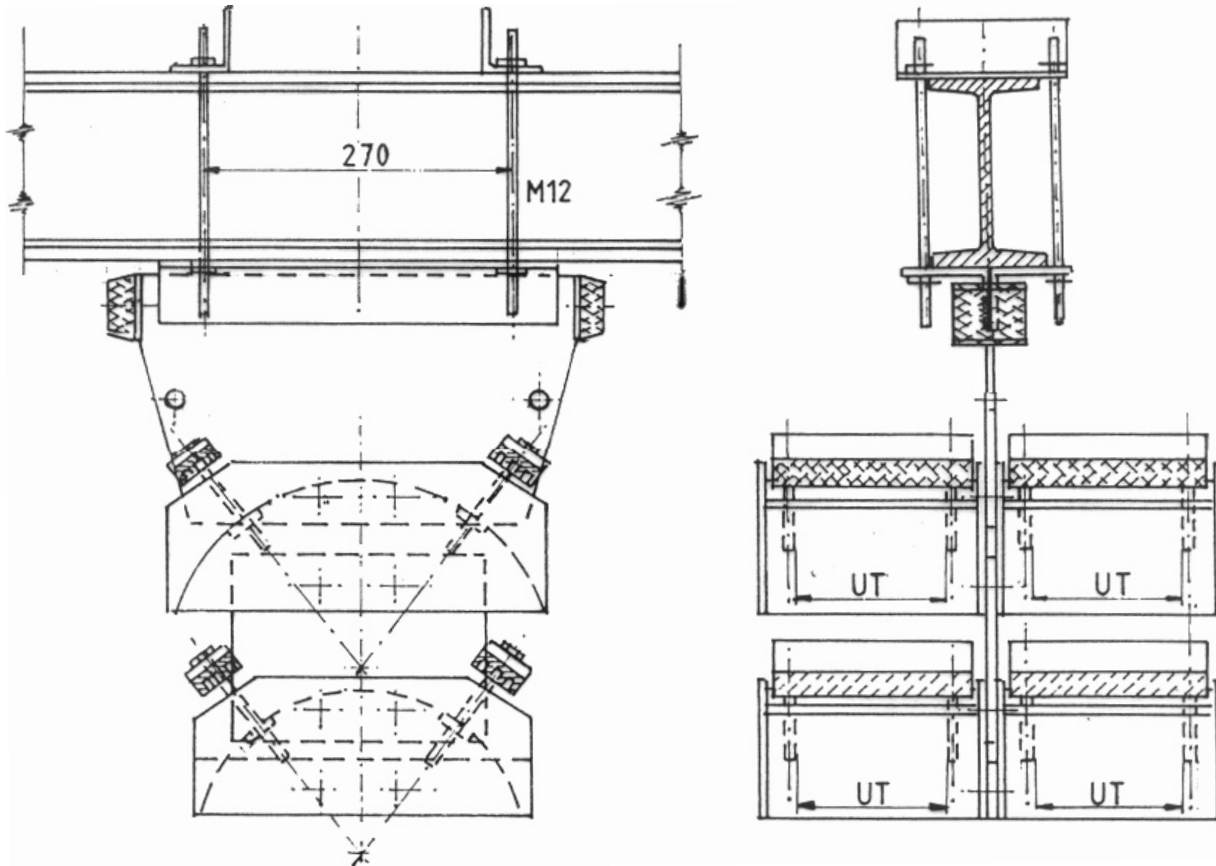


Article	Désignation	Long	Largeur	R1	R2	UT
Chariot				Galets diamètre 80/100 x 25 - axe M16		
57.741.112	IPN../375/80-GA/1 ét 2 x 120	375	268	120	-	90 x 45
57.741.116	IPN../375/80-GA/1 ét 2 x 165	375	358	120	-	135 x 45
57.741.121	IPN../375/80-GA/1 ét 2 x 210	375	448	120	-	180 x 45
57.741.125	IPN../375/80-GA/1 ét 2 x 255	375	538	120	-	225 x 45
57.741.212	IPN../375/80-GA/2 ét 2 x 120	375	268	120	90	90 x 45
57.741.216	IPN../375/80-GA/2 ét 2 x 165	375	358	120	90	135 x 45
57.741.221	IPN../375/80-GA/2 ét 2 x 210	375	448	120	90	180 x 45
57.741.225	IPN../375/80-GA/2 ét 2 x 255	375	538	120	90	225 x 45
57.742.112	IPN../450/80-GA/1 ét 2 x 120	450	268	155	120	90 x 45
57.742.116	IPN../450/80-GA/1 ét 2 x 165	450	358	155	120	135 x 45
57.742.121	IPN../450/80-GA/1 ét 2 x 210	450	448	155	120	180 x 45
57.742.125	IPN../450/80-GA/1 ét 2 x 255	450	538	155	120	225 x 45
57.742.212	IPN../450/80-GA/2 ét 2 x 120	450	268	155	120	90 x 45
57.742.216	IPN../450/80-GA/2 ét 2 x 165	450	358	155	120	135 x 45
57.742.221	IPN../450/80-GA/2 ét 2 x 210	450	448	155	120	180 x 45
57.742.225	IPN../450/80-GA/2 ét 2 x 255	450	538	155	120	225 x 45

PIECE TERMINALE FIXE

reposoir câbles plats

Pour IPN 100 minimum

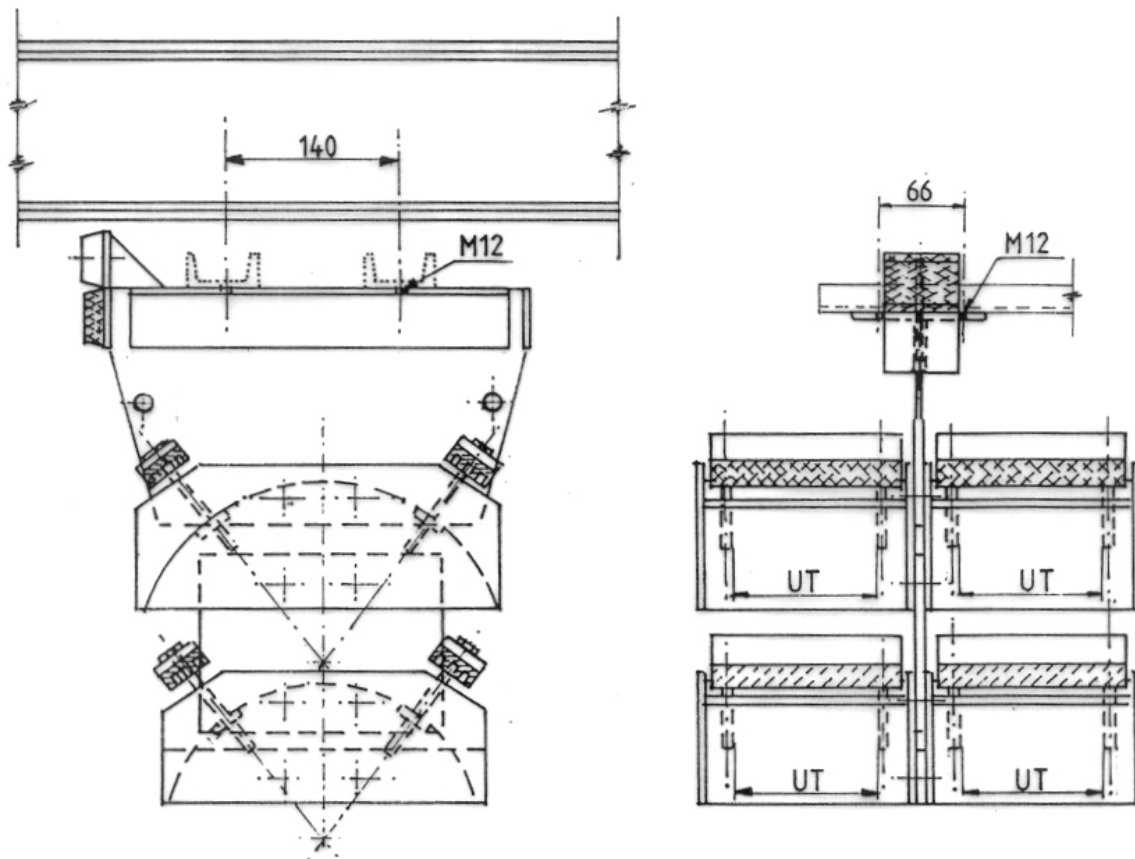


Article	Désignation	Long	Largeur	R1	R2	UT
57.786.112	IPN../375/80-GA/1 ét 2 x 120	375	268	120	-	90 x 45
57.786.116	IPN../375/80-GA/1 ét 2 x 165	375	358	120	-	135 x 45
57.786.121	IPN../375/80-GA/1 ét 2 x 210	375	448	120	-	180 x 45
57.786.125	IPN../375/80-GA/1 ét 2 x 255	375	538	120	-	225 x 45
57.786.212	IPN../375/80-GA/2 ét 2 x 120	375	268	120	90	90 x 45
57.786.216	IPN../375/80-GA/2 ét 2 x 165	375	358	120	90	135 x 45
57.786.221	IPN../375/80-GA/2 ét 2 x 210	375	448	120	90	180 x 45
57.786.225	IPN../375/80-GA/2 ét 2 x 255	375	538	120	90	225 x 45
57.787.112	IPN../450/80-GA/1 ét 2 x 120	450	268	155	120	90 x 45
57.787.116	IPN../450/80-GA/1 ét 2 x 165	450	358	155	120	135 x 45
57.787.121	IPN../450/80-GA/1 ét 2 x 210	450	448	155	120	180 x 45
57.787.125	IPN../450/80-GA/1 ét 2 x 255	450	538	155	120	225 x 45
57.787.212	IPN../450/80-GA/2 ét 2 x 120	450	268	155	120	90 x 45
57.787.216	IPN../450/80-GA/2 ét 2 x 165	450	358	155	120	135 x 45
57.787.221	IPN../450/80-GA/2 ét 2 x 210	450	448	155	120	180 x 45
57.787.225	IPN../450/80-GA/2 ét 2 x 255	450	538	155	120	225 x 45

PIECE TERMINALE MOBILE

reposoir câbles plats

Pour IPN 100 minimum

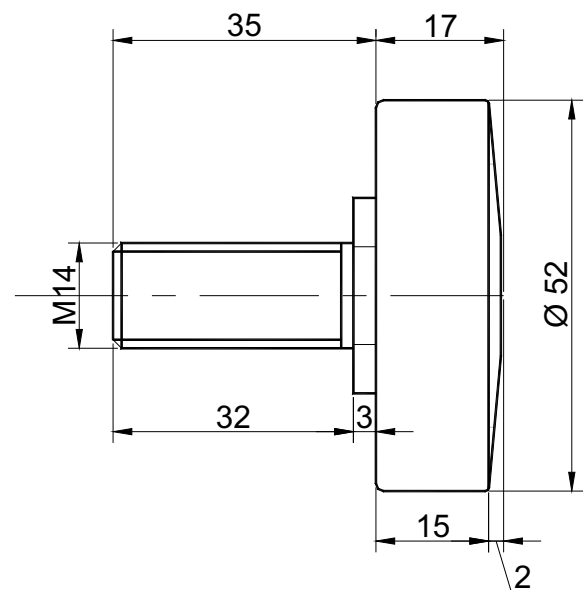
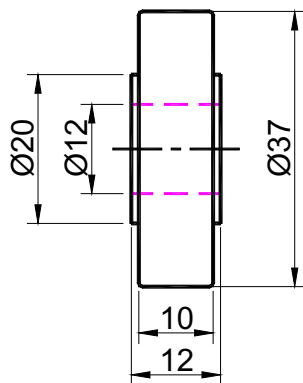


Article	Désignation	Long	Largeur	R1	R2	UT
57.791.112	IPN../375/80-GA/1 ét 2 x 120	375	268	120	-	90 x 45
57.791.116	IPN../375/80-GA/1 ét 2 x 165	375	358	120	-	135 x 45
57.791.121	IPN../375/80-GA/1 ét 2 x 210	375	448	120	-	180 x 45
57.791.125	IPN../375/80-GA/1 ét 2 x 255	375	538	120	-	225 x 45
57.791.212	IPN../375/80-GA/2 ét 2 x 120	375	268	120	90	90 x 45
57.791.216	IPN../375/80-GA/2 ét 2 x 165	375	358	120	90	135 x 45
57.791.221	IPN../375/80-GA/2 ét 2 x 210	375	448	120	90	180 x 45
57.791.225	IPN../375/80-GA/2 ét 2 x 255	375	538	120	90	225 x 45
57.792.112	IPN../450/80-GA/1 ét 2 x 120	450	268	155	120	90 x 45
57.792.116	IPN../450/80-GA/1 ét 2 x 165	450	358	155	120	135 x 45
57.792.121	IPN../450/80-GA/1 ét 2 x 210	450	448	155	120	180 x 45
57.792.125	IPN../450/80-GA/1 ét 2 x 255	450	538	155	120	225 x 45
57.792.212	IPN../450/80-GA/2 ét 2 x 120	450	268	155	120	90 x 45
57.792.216	IPN../450/80-GA/2 ét 2 x 165	450	358	155	120	135 x 45
57.792.221	IPN../450/80-GA/2 ét 2 x 210	450	448	155	120	180 x 45
57.792.225	IPN../450/80-GA/2 ét 2 x 255	450	538	155	120	225 x 45

GALETS EN ACIER

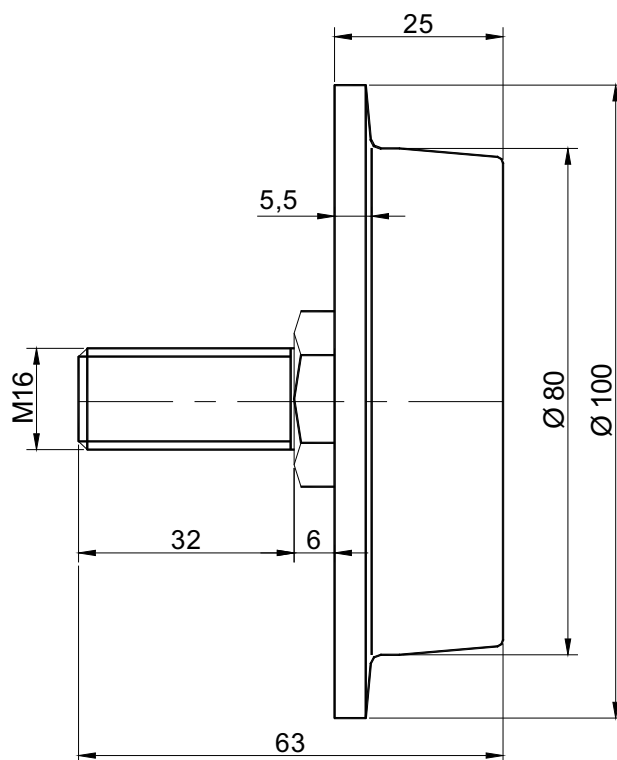
Article n° 50.710.00 - acier zingué
 Article n° 50.711.00 - acier inox. 420

Galet de guidage



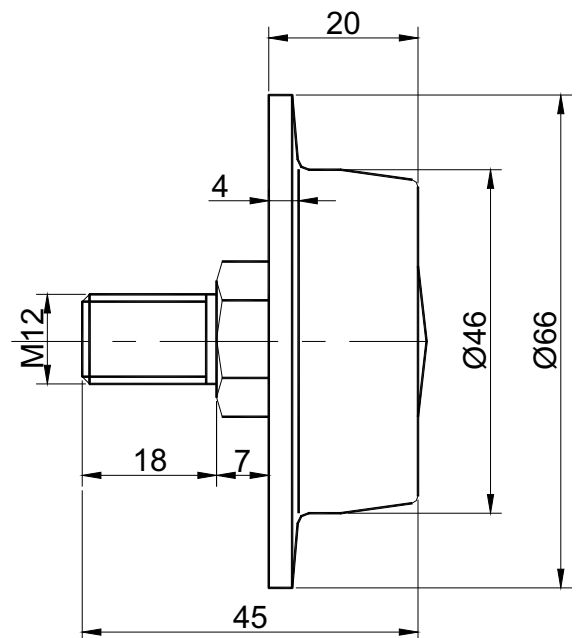
Article n° 50.780.00 - acier zingué
 Article n° 50.781.00 - acier inox. 420

Galet de guidage ou de roulement pour poutrelle IPE ou galet de roulement pour chariot roulant sur tube.



Article n° 50.750.00 - acier zingué
 Article n° 50.751.00 - acier inox 420

Galet de roulement pour chariot roulant sur poutrelle IPE ou IPN 12 minimum



Article n° 50.724.00 - acier zingué
 Article n° 50.723.00 - acier inox 420

Galet de roulement pour chariot roulant sur poutrelle IPE ou IPN 8 minimum.

Construction en acier dur, cémenté et zingué.
 Graissé à vie, fourni avec écrou de sécurité.